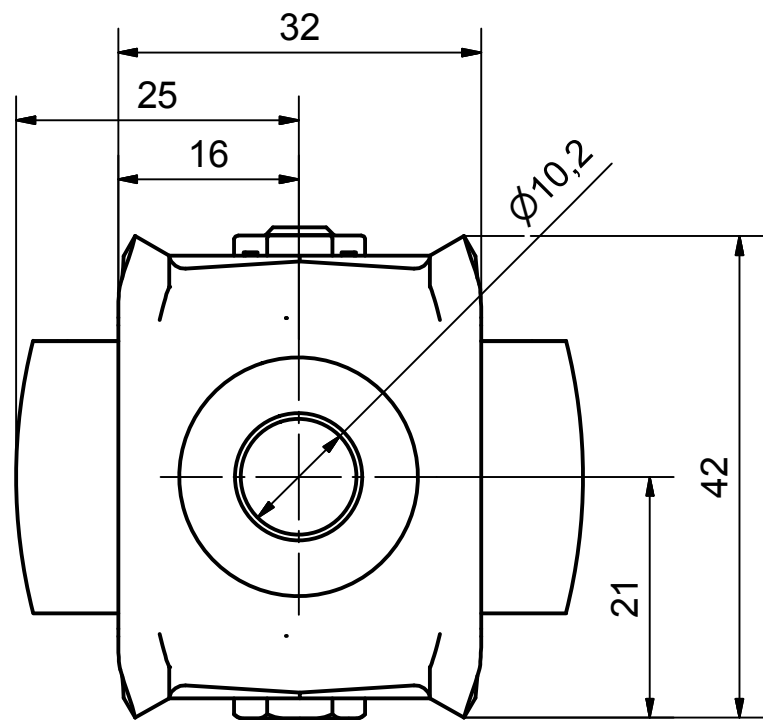



**Load Capacity: 50kg, for speed up to 4km/h  
(According to EN 12530)**



 PRODUCTION OF INSTITUTIONAL CASTORS AND WHEELS THESSALONIKI - GREECE	PERMIS. VARIATIONS:		PART No:
	SURFACE FINISH :		UNF . DIM.:
This drawing is the property of RODA S.A. It must neither be reproduced in any manner nor shall it be submitted to third parties or competitors without our written consent	DESIGNED	24/6/2013	E.POLIMEROPOULOU
	DRAWN	24/6/2013	E.POLIMEROPOULOU
	CHECKED	24/6/2013	H.SAATZOGLOU
PART NAME : <b>M.050.NA.HF</b>			PART DESCRIPTION : <b>Fixed castor, steel support, bolt hole fitting (10,2mm).Wheel 50x24mm,white polyamide plain bearing</b>
DRAWING NUMBER :		SHEET No.	
QUANTITY      SCALE		GEN. DWG. NUM. :	
REPLACE :			