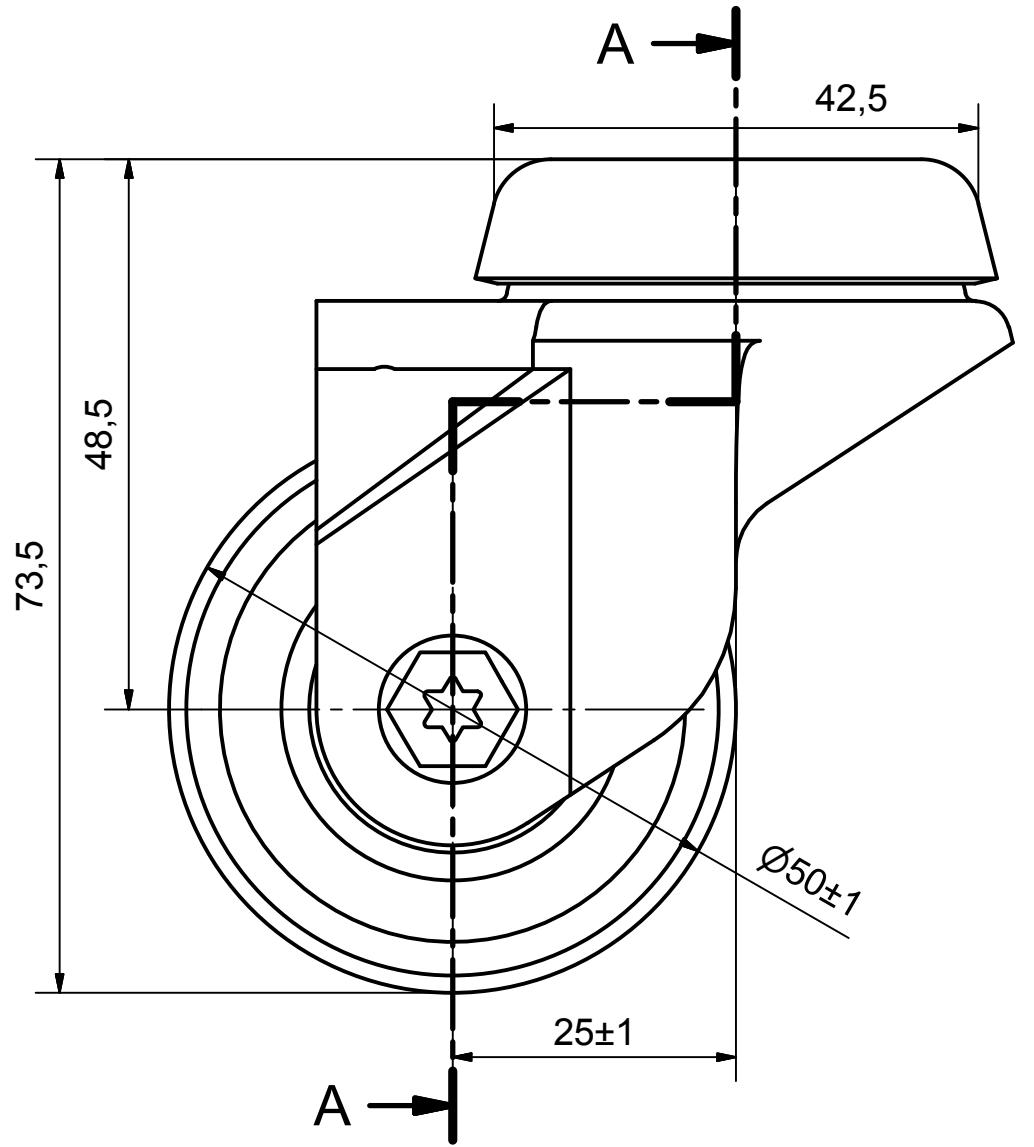
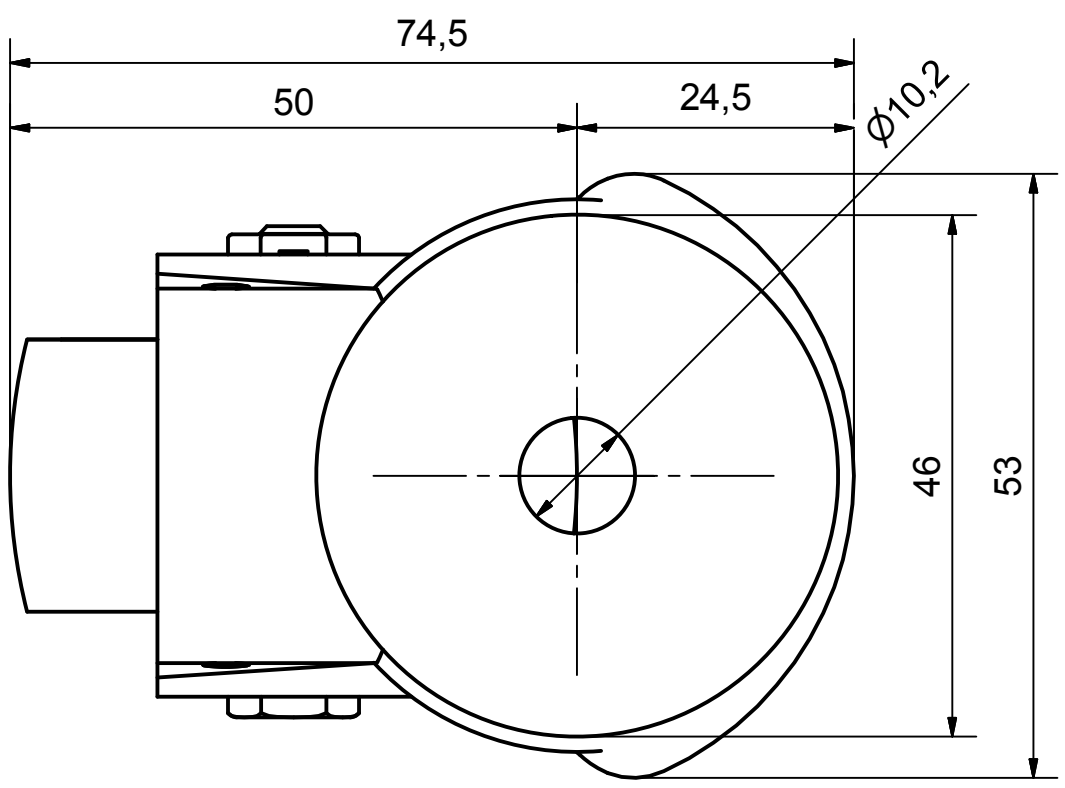
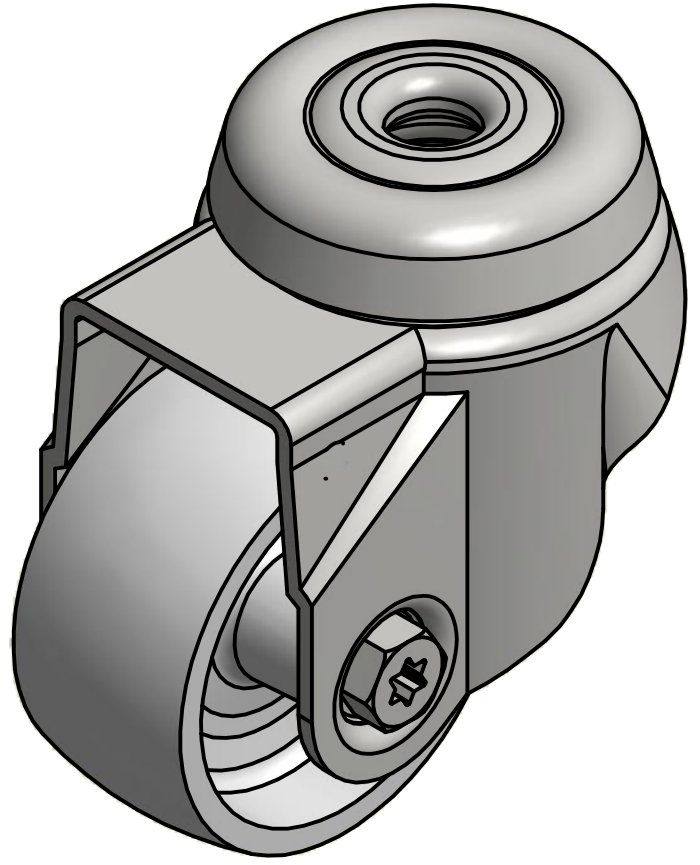
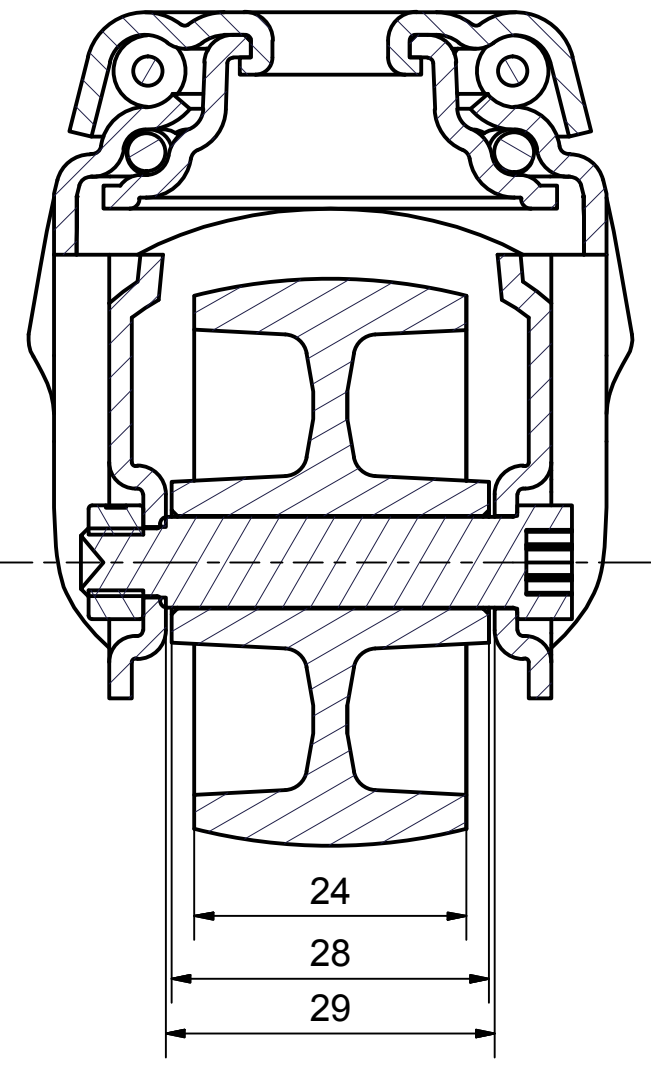


6 5 4 3 2 1


D
C
B
A



SECTION A-A'



**Load Capacity: 50kg, for speed up to 4km/h
(According to EN 12530)**

 PRODUCTION OF INSTITUTIONAL CASTORS AND WHEELS THESSALONIKI - GREECE This drawing is the property of RODA S.A. It must neither be reproduced in any manner nor shall it be submitted to third parties or competitors without our written consent	PERMIS. VARIATIONS:		PART No:	
	SURFACE FINISH:		UNF . DIM.:	
DESIGNED 8/8/2013 E.POLIMEROPOULOU DRAWN 8/8/2013 E.POLIMEROPOULOU CHECKED 8/8/2013 H.SAATSOGLOU			PART NAME : M.050.NA.HS	
C3 B2 A1 A/A			PART DESCRIPTION : Swivel castor, steel support, bolt hole fitting (10,2mm).Wheel 50x24mm,white polyamide plain bearing	
QUANTITY REPLACE :		SCALE		DRAWING NUMBER :
SHEET No.		GEN. DWG. NUM. :		

6 5 4 3 2 1