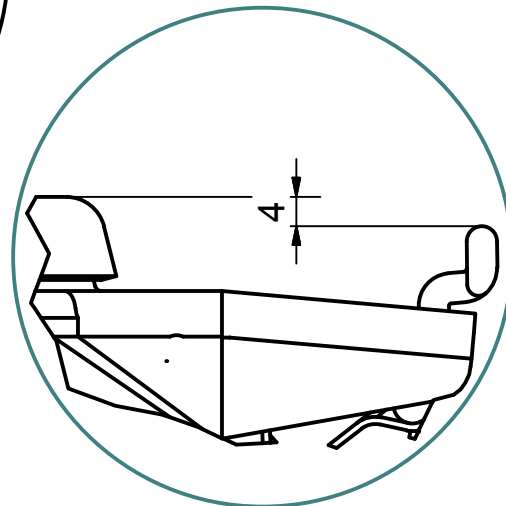
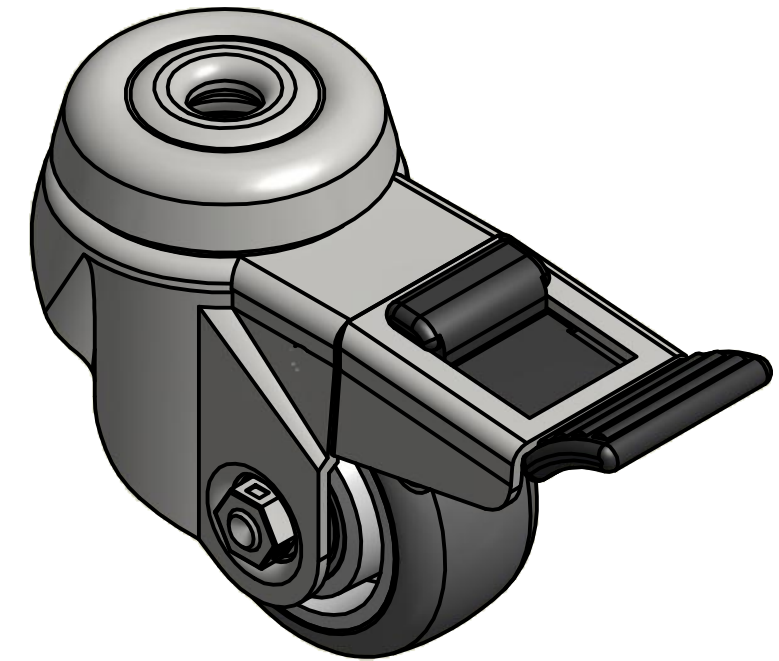
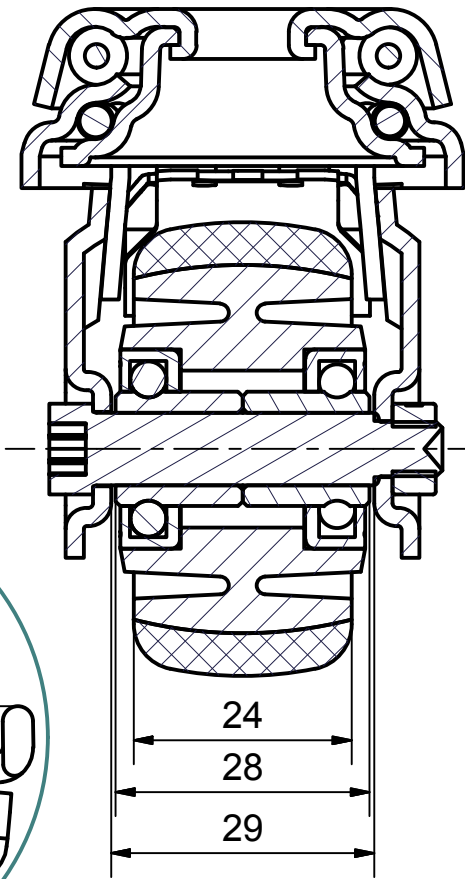


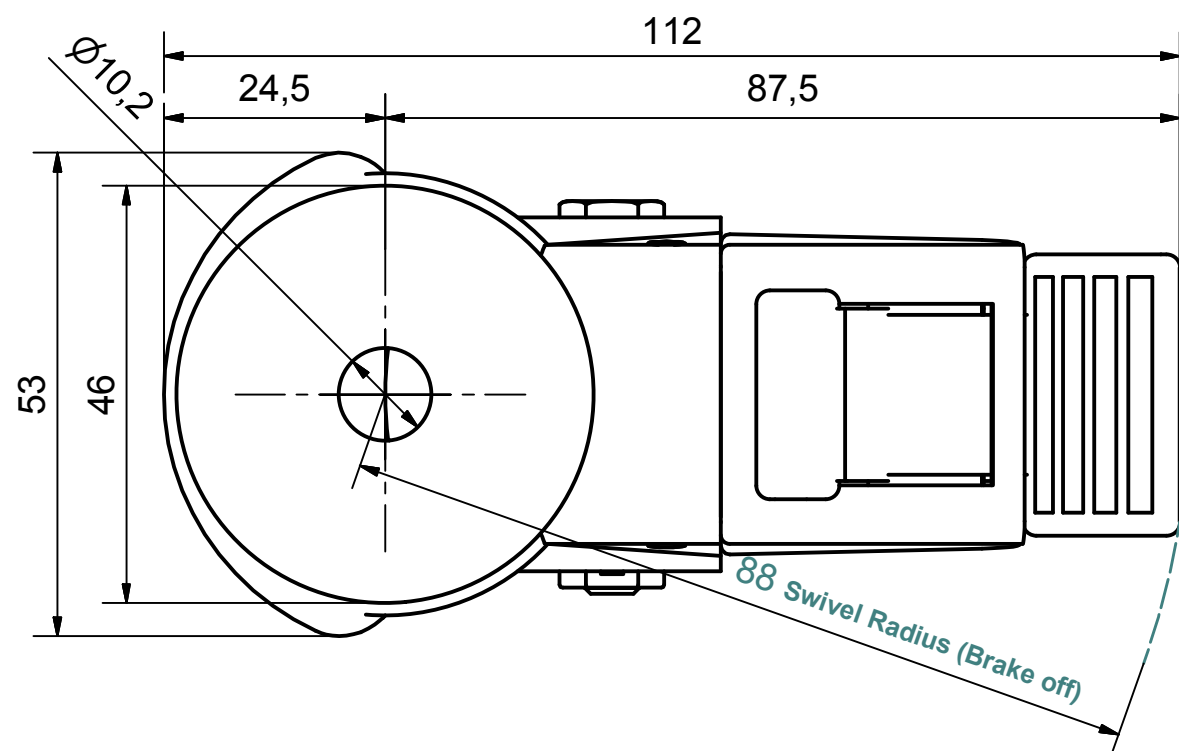
DETAIL i


SECTION A-A'



DETAIL i (Brake on)

Load Capacity: 50kg, for speed up to 4km/h
(According to EN 12530)



 PRODUCTION OF INSTITUTIONAL CASTORS AND WHEELS THESSALONIKI - GREECE	PERMIS. VARIATIONS:		PART No:		
	SURFACE FINISH:		UNF . DIM.:		
This drawing is the property of RODA S.A. It must neither be reproduced in any manner nor shall it be submitted to third parties or competitors without our written consent	DESIGNED	26/6/2013	E.POLIMEROPOULOU	PART NAME : M.050.TPC.HSBK PART DESCRIPTION : Swivel+brake castor, steel support, bolt hole fitting (10,2mm).Wheel 50x24mm,non marking grey rubber (82shA) double ball bearing	
	DRAWN	26/6/2013	E.POLIMEROPOULOU		
	CHECKED	26/6/2013	H.SAATZOGLOU		
C3				DRAWING NUMBER :	
B2					SHEET No.
A1				QUANTITY	SCALE
A/A				REPLACE :	GEN. DWG. NUM. :