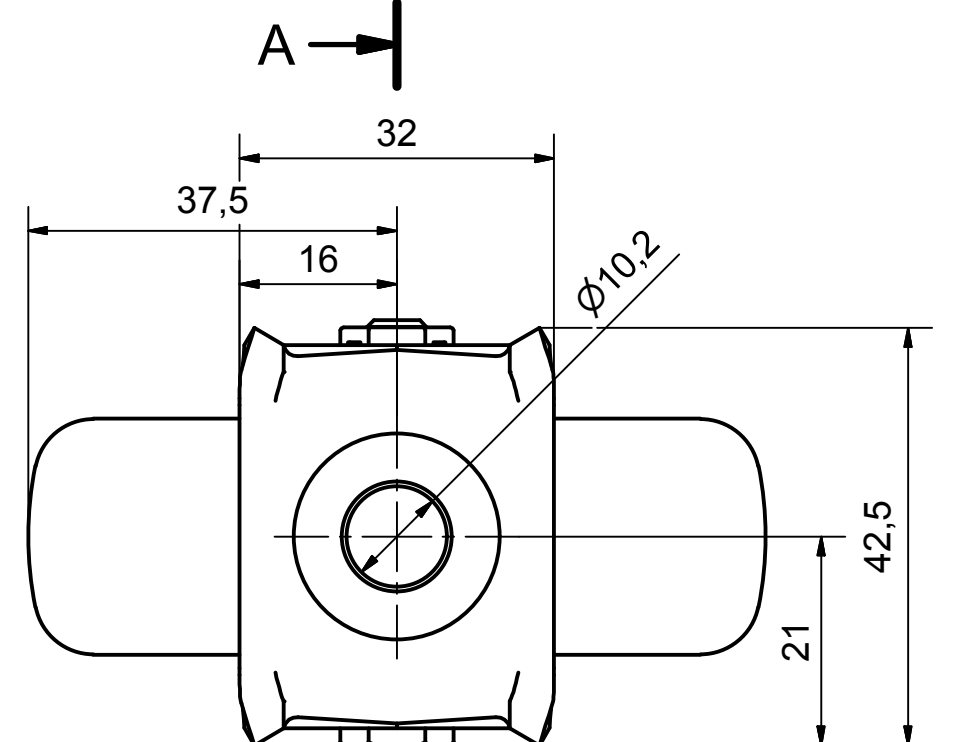



**Load Capacity: 60kg, for speed up to 4km/h
(According to EN 12530)**



	PRODUCTION OF INSTITUTIONAL CASTORS AND WHEELS THESSALONIKI - GREECE	PERMIS. VARIATIONS:		PART No:	
		SURFACE FINISH :		UNF . DIM.:	
This drawing is the property of RODA S.A. It must neither be reproduced in any manner nor shall it be submitted to third parties or competitors without our written consent				PART NAME : M.075.NNA.HF	
DESIGNED	3/7/2013	E.POLIMEROPOULOU	PART DESCRIPTION :		
DRAWN	3/7/2013	E.POLIMEROPOULOU	Fixed castor, steel support, bolt hole fitting (10,2mm).Wheel 75x24mm,white polyamide plain bearing		
CHECKED	3/7/2013	H.SAATZOGLU	DRAWING NUMBER :		SHEET No.
C3			QUANTITY	SCALE	
B2			REPLACE :	GEN. DWG. NUM. :	
A1					
A/A					