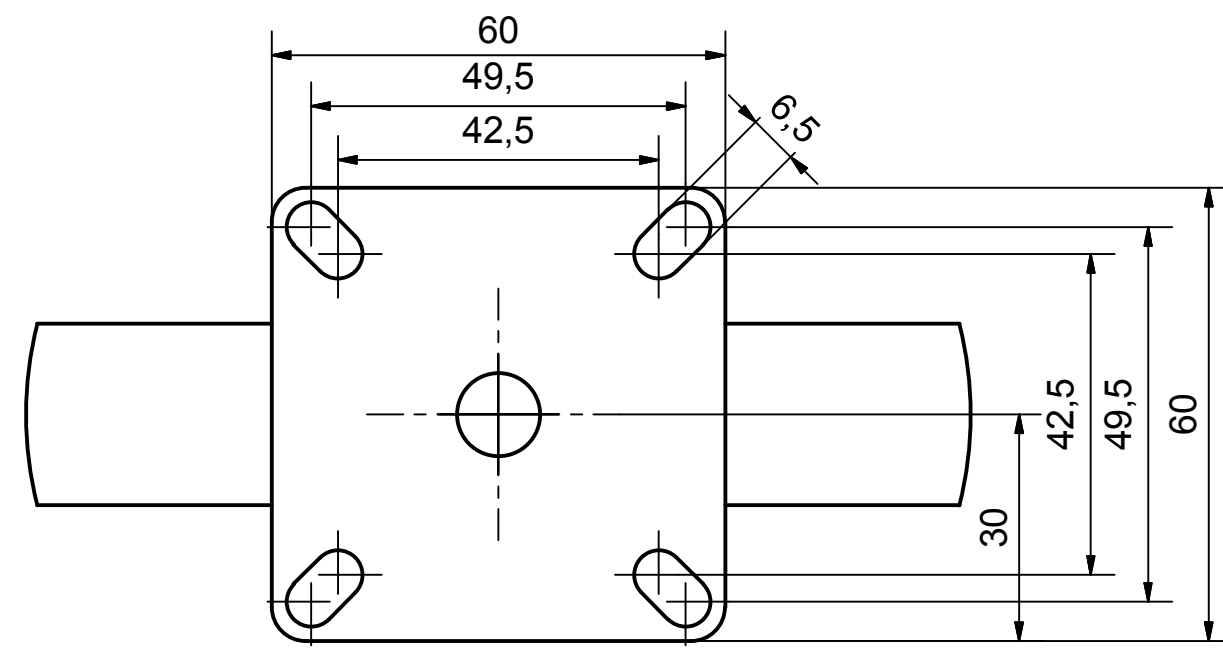



**Load Capacity: 80kg, for speed up to 4km/h  
(According to EN 12530)**



	PRODUCTION OF INSTITUTIONAL CASTORS AND WHEELS <b>THESSALONIKI - GREECE</b>	PERMIS. VARIATIONS:		PART No:	
		SURFACE FINISH:		UNF . DIM.:	
This drawing is the property of RODA S.A. It must neither be reproduced in any manner nor shall it be submitted to third parties or competitors without our written consent		DESIGNED 11/7/2013 E.POLIMEROPOULOU	PART NAME : <b>M.125.PA.TF</b>		
DRAWN 11/7/2013 E.POLIMEROPOULOU		PART DESCRIPTION : <b>Fixed castor, steel support, top plate fitting.Wheel 125x24mm,black polypropylene plain bearing</b>			
CHECKED 11/7/2013 H.SAATSOGLOU		QUANTITY		SCALE	
C3 B2 A1 A/A		REPLACE :		DRAWING NUMBER : SHEET No.	
				GEN. DWG. NUM. :	