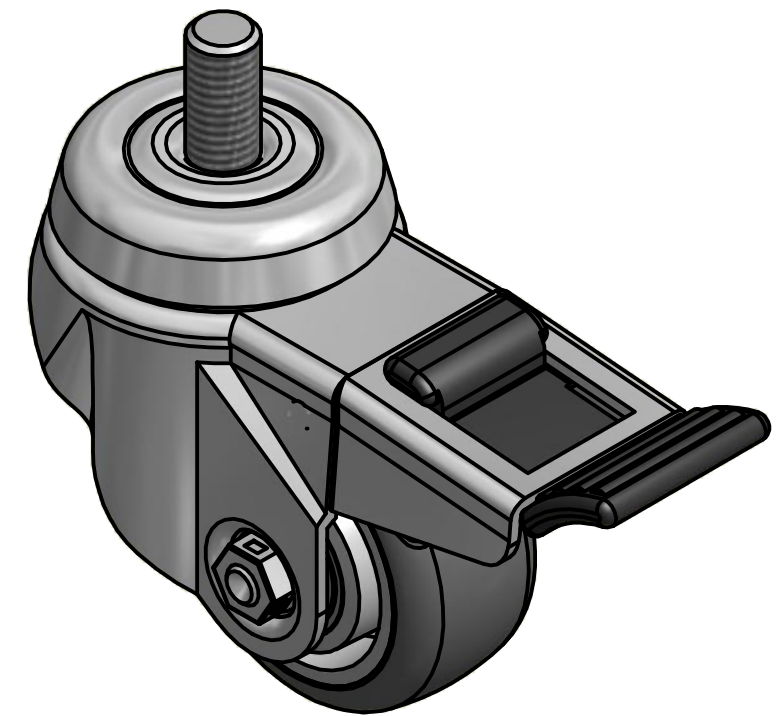
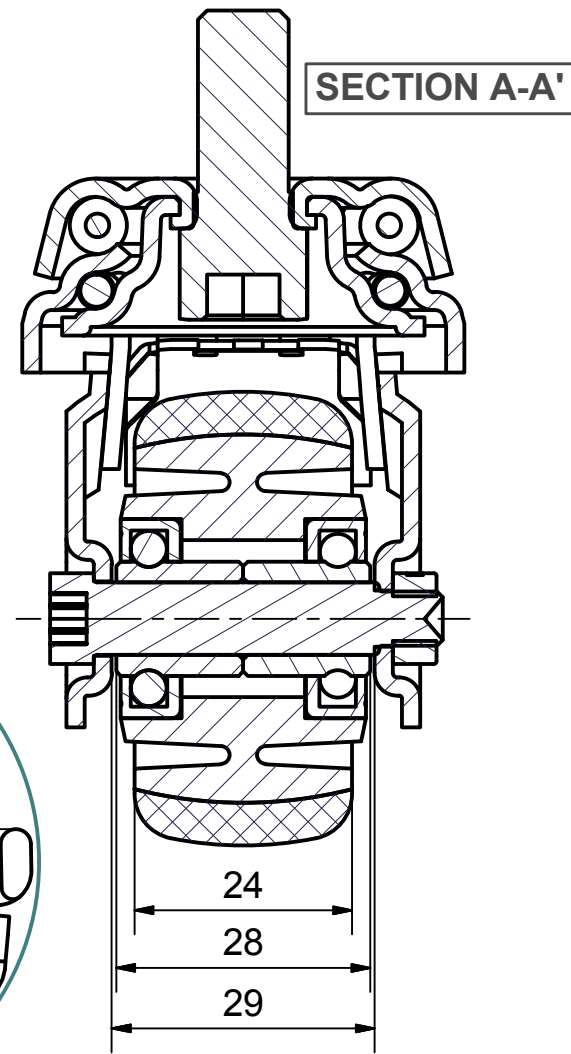
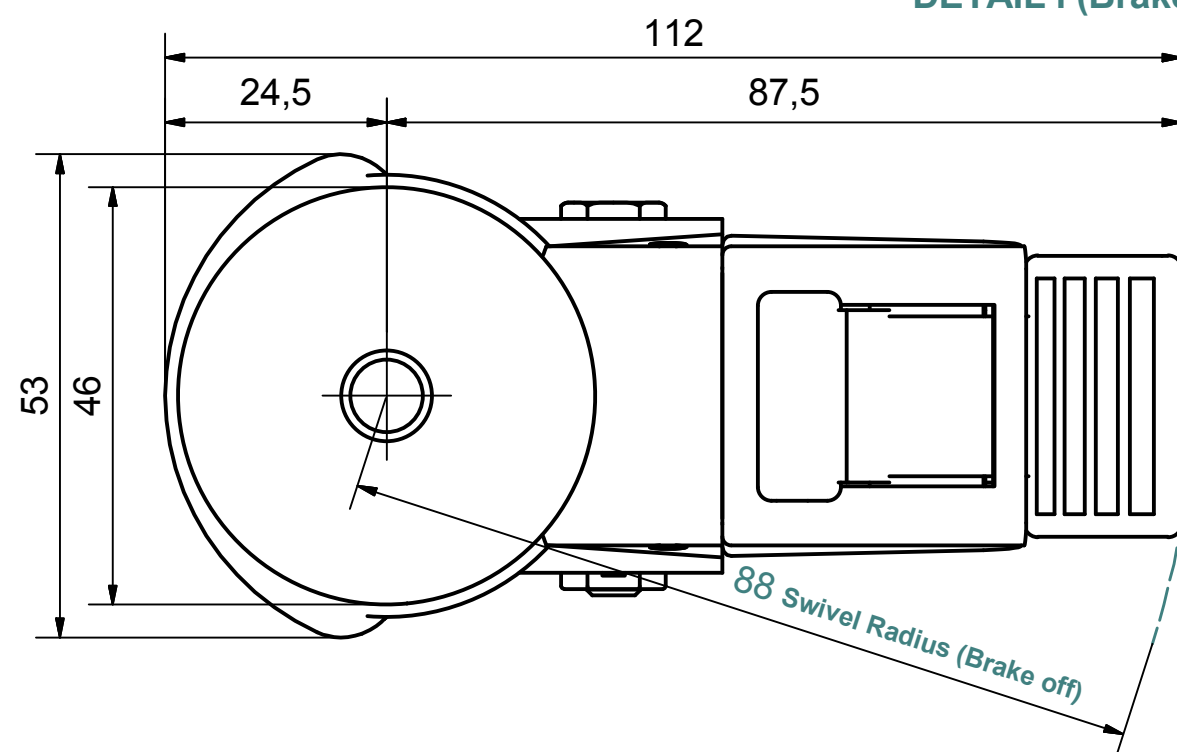



DETAIL i (Brake on)



Load Capacity: 50kg, for speed up to 4km/h
(According to EN 12530)



 PRODUCTION OF INSTITUTIONAL CASTORS AND WHEELS THESSALONIKI - GREECE	PERMIS. VARIATIONS:		PART No:
	SURFACE FINISH:		UNF . DIM.:
This drawing is the property of RODA S.A. It must neither be reproduced in any manner nor shall it be submitted to third parties or competitors without our written consent	DESIGNED	27/6/2013	E.POLIMEROPOULOU
	DRAWN	27/6/2013	E.POLIMEROPOULOU
	CHECKED	27/6/2013	H.SAATZOGLOU
PART NAME :			MX.050.TPC.BSBK
PART DESCRIPTION :			Swivel+brake castor, stainless support, bolt stem M10X20mm.Wheel 50x24mm,non marking grey rubber (82shA) double ball bearings
DRAWING NUMBER :		QUANTITY	SCALE
SHEET No.		REPLACE :	GEN. DWG. NUM. :