

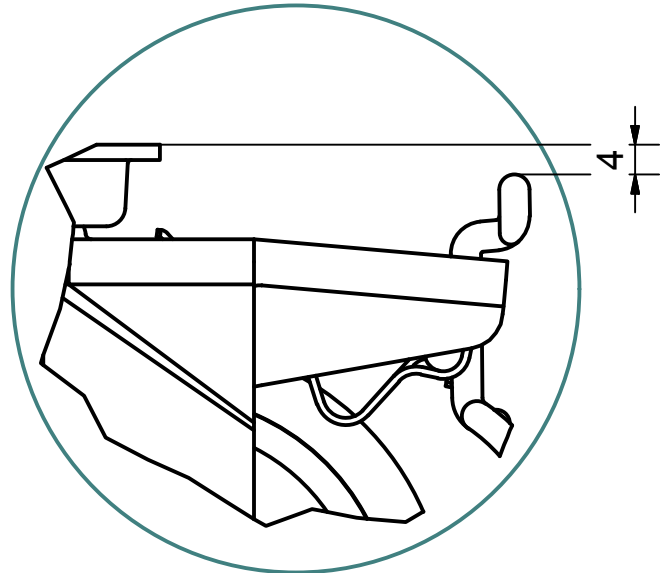
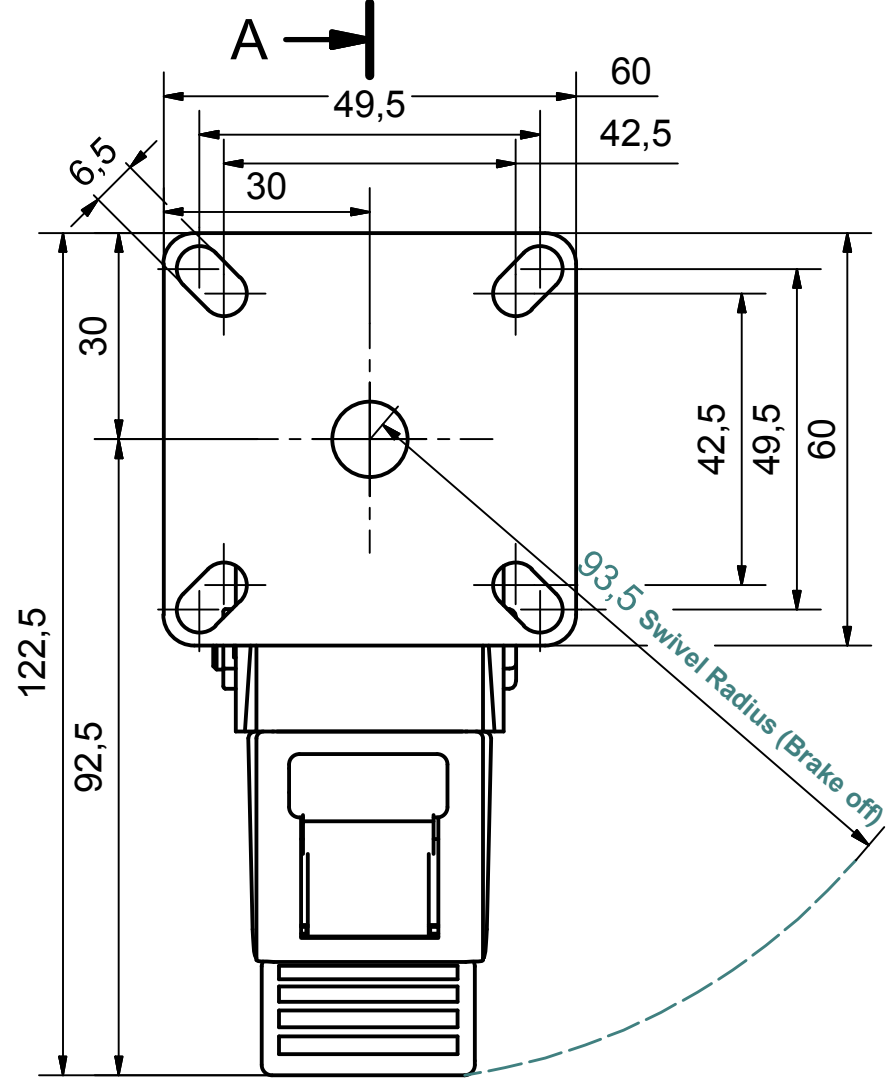
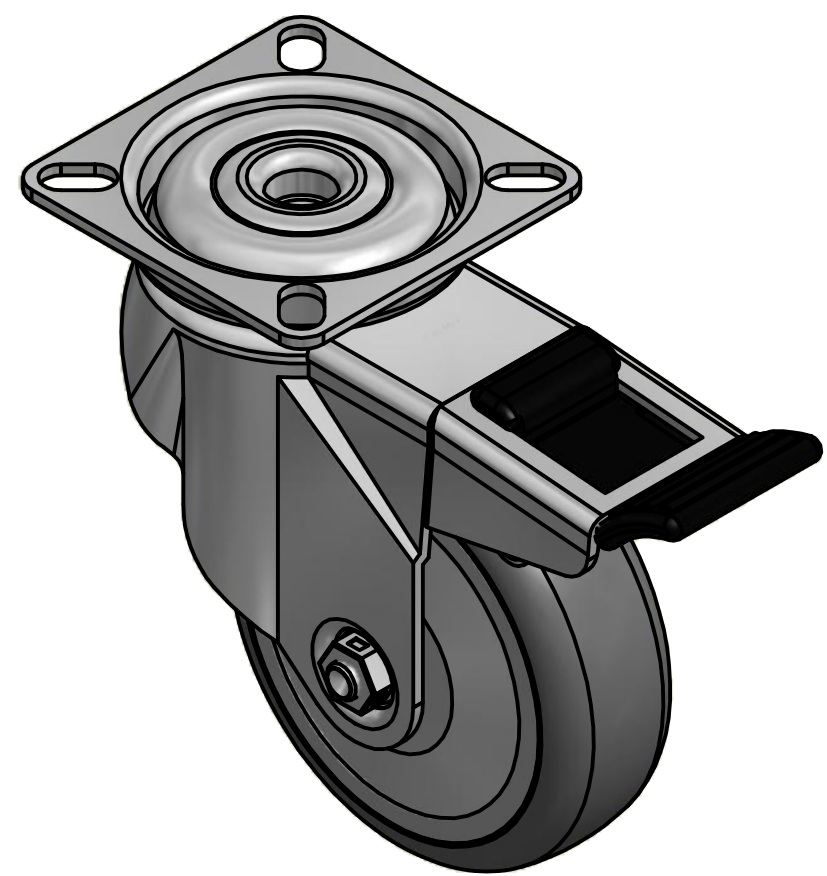
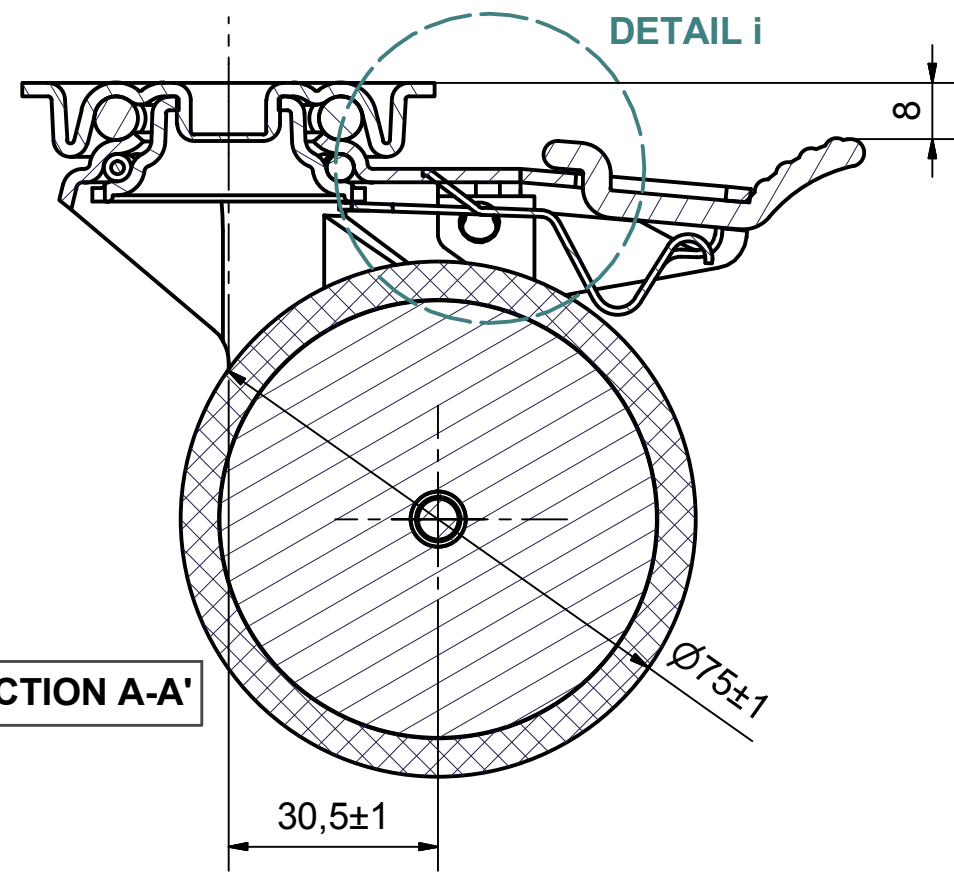
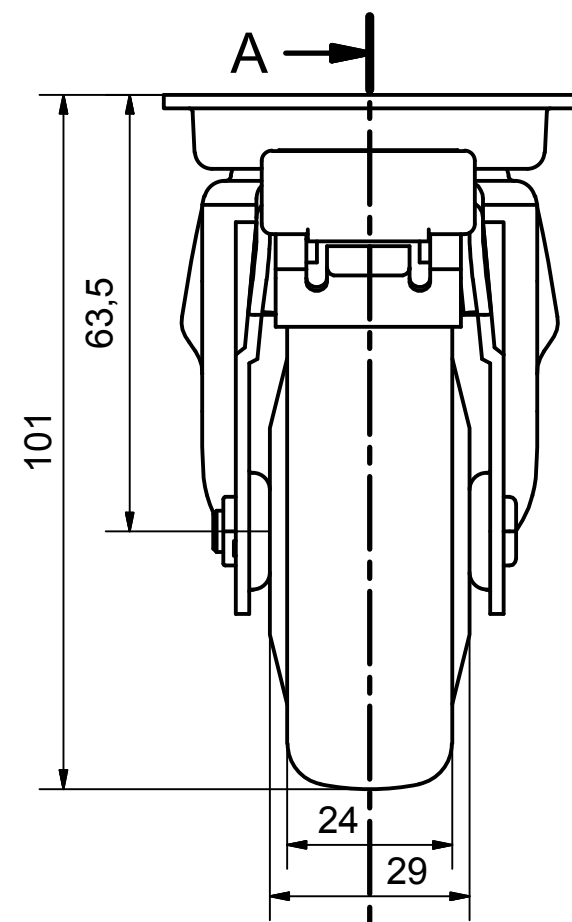
6 5 4 3 2 1

D

C


B

A



Load Capacity: 60kg, for speed up to 4km/h
(According to EN 12530)

DETAIL i (Brake on)

 PRODUCTION OF INSTITUTIONAL CASTORS AND WHEELS THESSALONIKI - GREECE	PERMIS. VARIATIONS:		PART No:	
	SURFACE FINISH:		UNF . DIM.:	
This drawing is the property of RODA S.A. It must neither be reproduced in any manner nor shall it be submitted to third parties or competitors without our written consent			PART NAME : MX.075.TPA.TSBKGX	
DESIGNED 2/7/2013 E.POLIMEROPOULOU DRAWN 2/7/2013 E.POLIMEROPOULOU CHECKED 2/7/2013 H.SAATZOGLU	PART DESCRIPTION : Swivel+brake castor, stainless support, top plate fitting.Wheel 75x24mm,non marking grey rubber (82shA) plain bearing,stainless		DRAWING NUMBER :	
C3 B2 A1 A/A	QUANTITY REPLACE :	SCALE	SHEET No.	
			GEN. DWG. NUM. :	

6 5 4 3 2 1