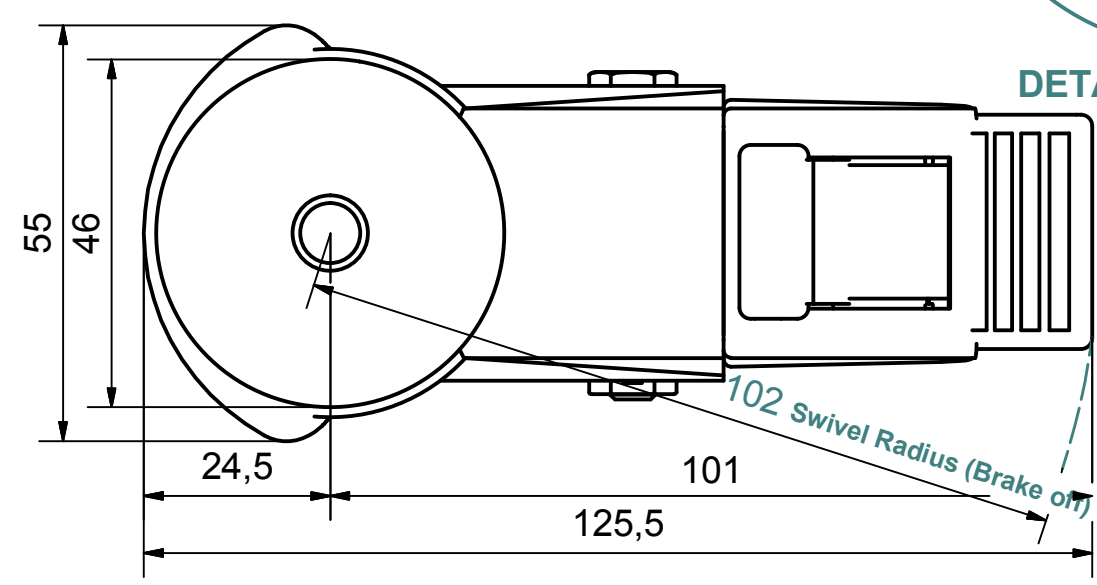



Load Capacity: 70kg, for speed up to 4km/h  
(According to EN 12530)



DETAIL i (Brake on)

	PRODUCTION OF INSTITUTIONAL CASTORS AND WHEELS THESSALONIKI - GREECE		PERMIS. VARIATIONS:	PART No:
	This drawing is the property of RODA S.A. It must neither be reproduced in any manner nor shall it be submitted to third parties or competitors without our written consent		SURFACE FINISH:	UNF . DIM.:
DESIGNED 10/7/2013 E.POLIMEROPOULOU DRAWN 10/7/2013 E.POLIMEROPOULOU CHECKED 10/7/2013 H.SAATSOGLOU	QUANTITY REPLACE:	SCALE	PART NAME : <b>MX.100.CPA.BSBK</b>	
C3 B2 A1 A/A	DRAWING NUMBER :	SHEET No.	PART DESCRIPTION : <b>Swivel+brake castor, stainless support, bolt stem M10X20mm.Wheel 100x24mm,electric conductive non marking grey rubber (82shA) p</b>	
GEN. DWG. NUM. :			DRAWING NUMBER :	