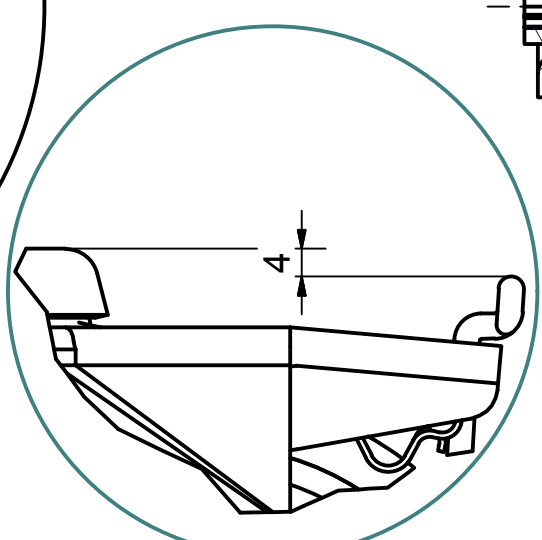
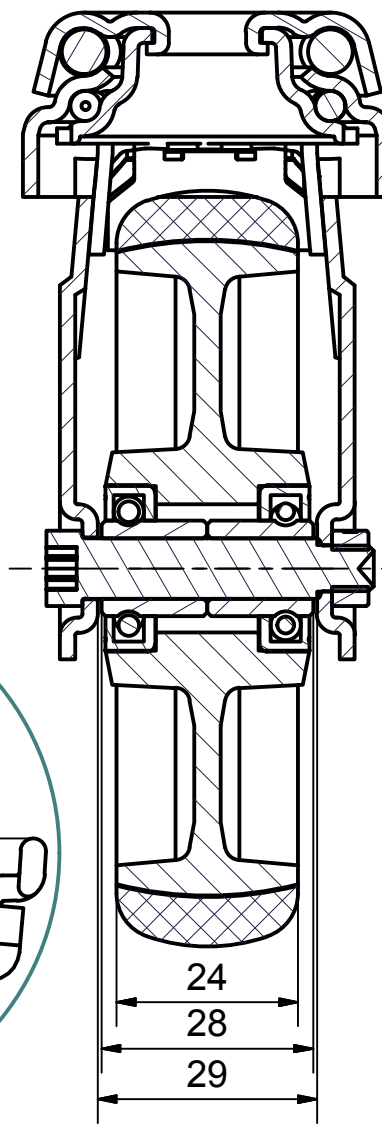
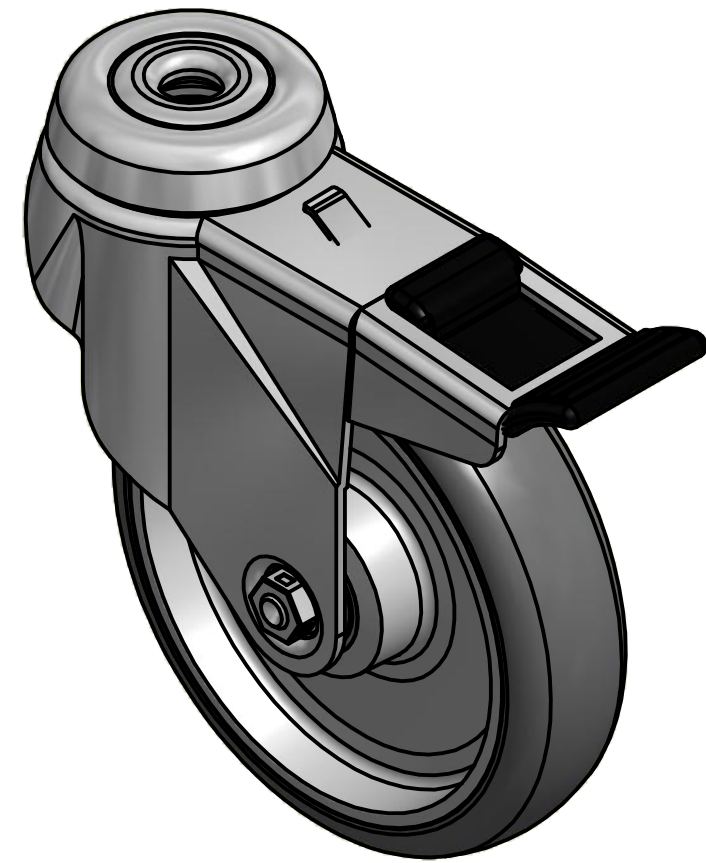


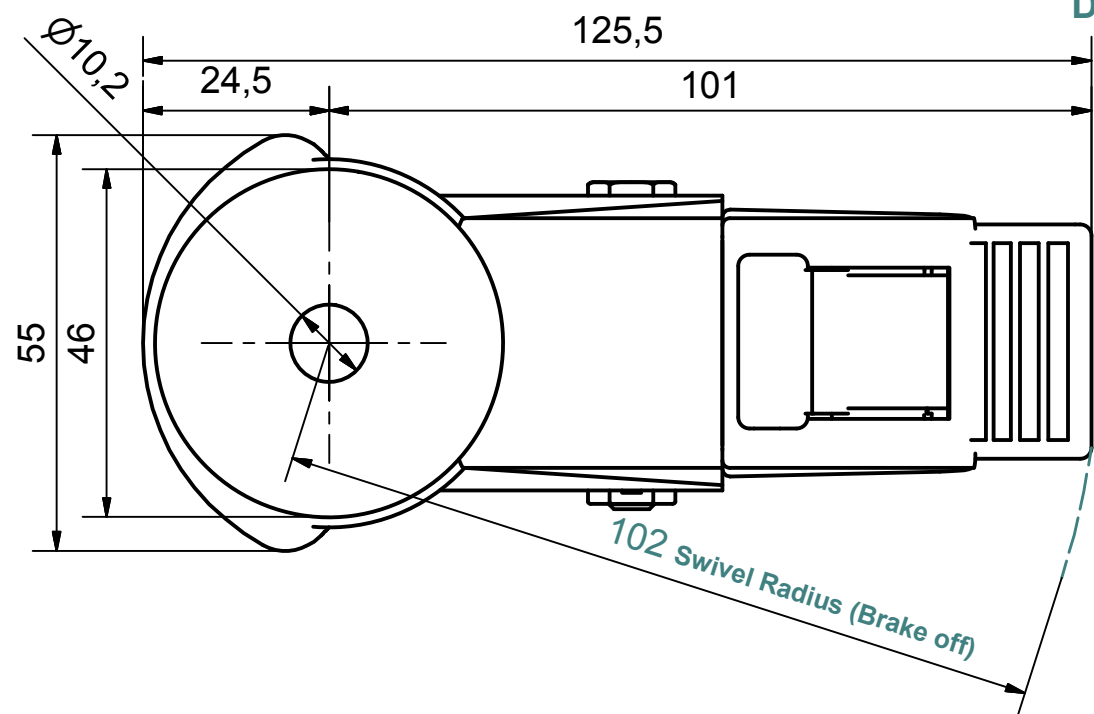
SECTION A-A'




DETAIL i (Brake on)



Load Capacity: 70kg, for speed up to 4km/h
(According to EN 12530)



 PRODUCTION OF INSTITUTIONAL CASTORS AND WHEELS THESSALONIKI - GREECE	PERMIS. VARIATIONS:		PART No:		
	SURFACE FINISH:		UNF . DIM.:		
This drawing is the property of RODA S.A. It must neither be reproduced in any manner nor shall it be submitted to third parties or competitors without our written consent	DESIGNED	10/7/2013	E.POLIMEROPOULOU	PART NAME : MX.100.TPC.HSBK PART DESCRIPTION : Swivel+brake castor, stainless support, bolt hole fitting (10,2mm).Wheel 100x24mm,non marking grey rubber (82shA) double ball b	
	DRAWN	10/7/2013	E.POLIMEROPOULOU		
	CHECKED	10/7/2013	H.SAATSOGLOU		
C3				DRAWING NUMBER :	SHEET No.
B2				QUANTITY	SCALE
A1					
A/A				REPLACE :	GEN. DWG. NUM. :