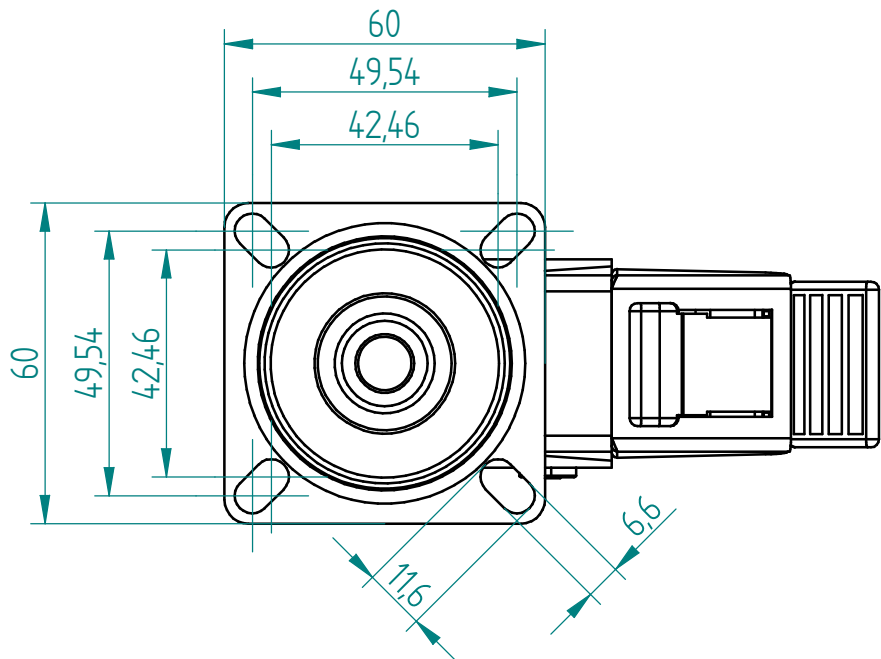
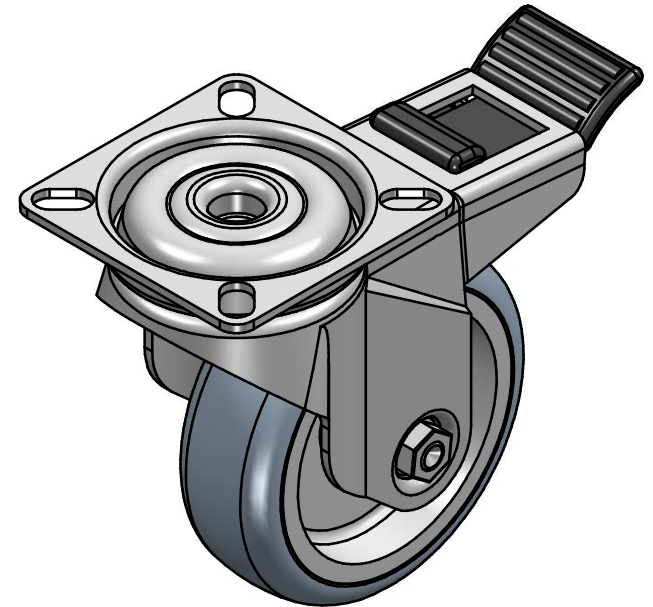
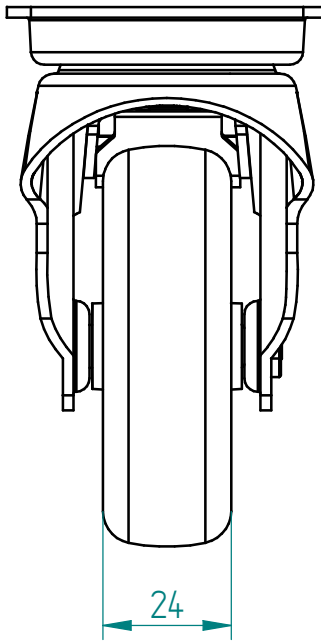
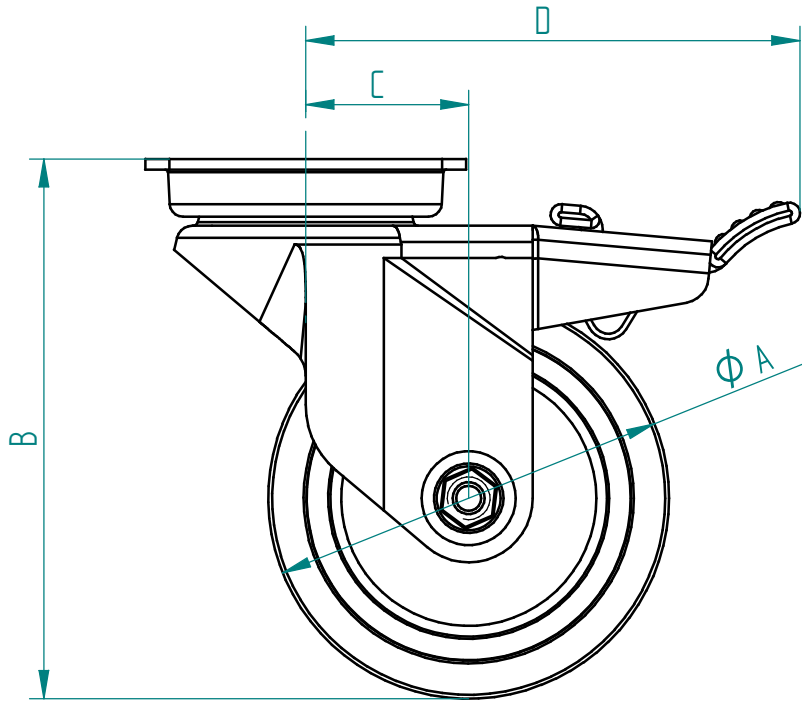



M Series			
A (mm)	B (mm)	C (mm)	D (mm)
50	73,5	25	86
75	101	30,5	91
100	123,5	40	101
125	148,5	43	104



	PRODUCTION OF INSTITUTIONAL CASTORS AND WHEELS	PERMIS. VARIATIONS:	PART No.:		
		SURFACE FINISH:	UNF. DIM.:		
THESSALONIKI - GREECE		MATERIAL:			
This drawing is the property of RODA S.A. It must neither be reproduced in any manner nor shall it be submitted to third parties or competitors without our written consent		DESIGNED 22/7/2010 RodaD	PART DESCRIPTION : M Series TSBK:Top Plate Brake		
		DRAWN 22/7/2010 RodaD			
		CHECKED 22/7/2010			
C3		QUANTITY	SCALE	DRAWING	SHEET No.
B2		REPLACE		GEN. DWG. NUM. :	
A1					
A/A					