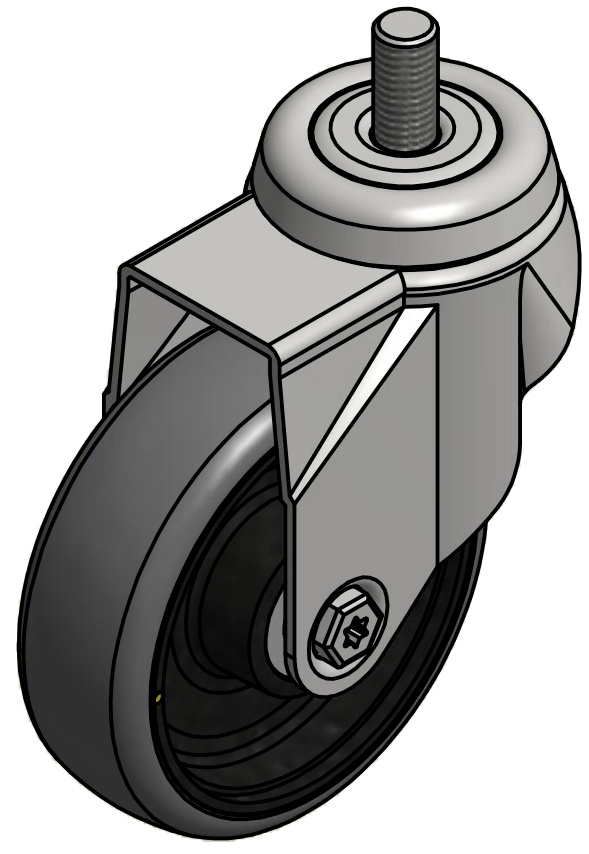
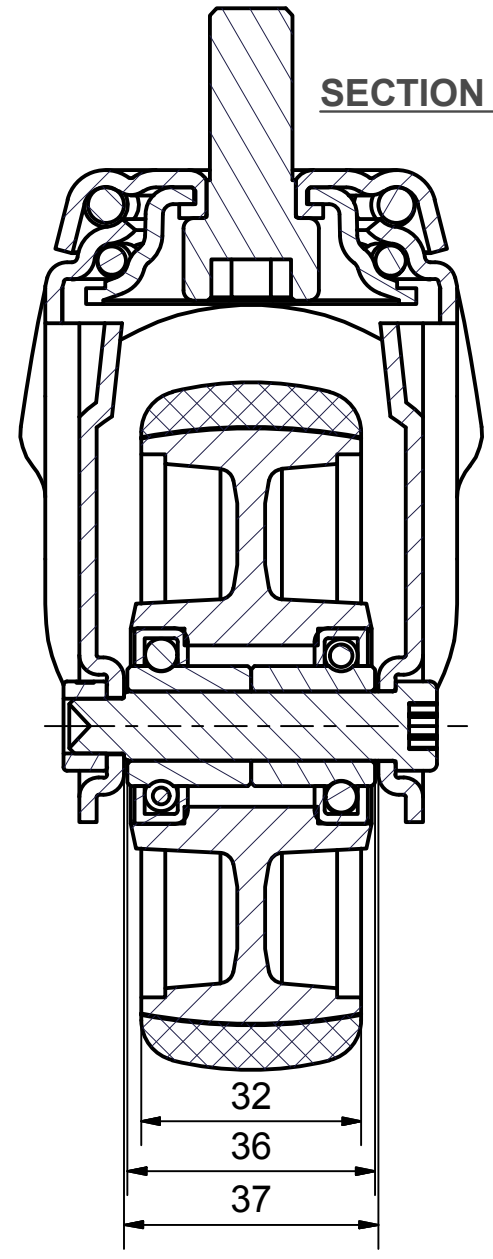
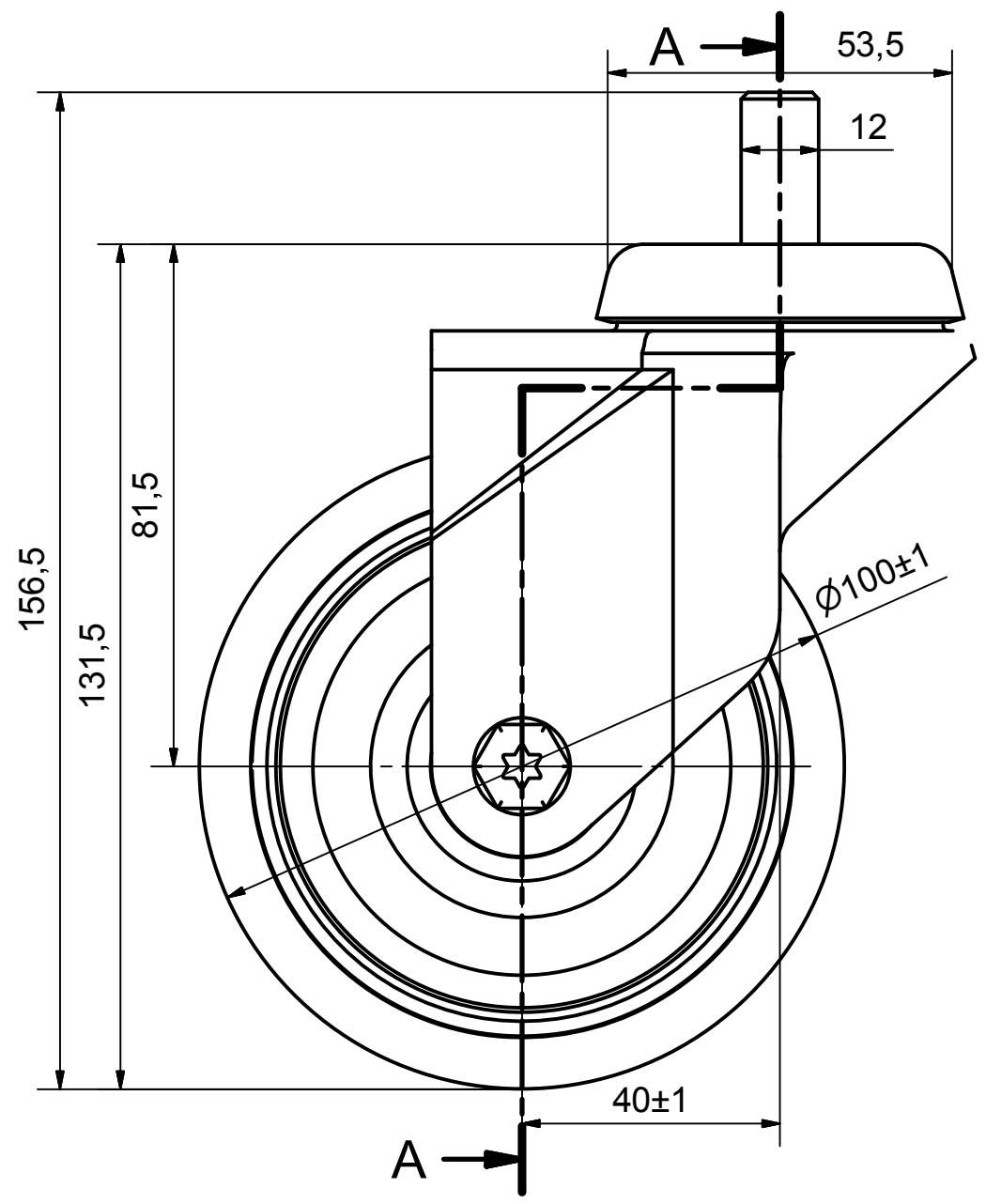


6 5 4 3 2 1

D

D



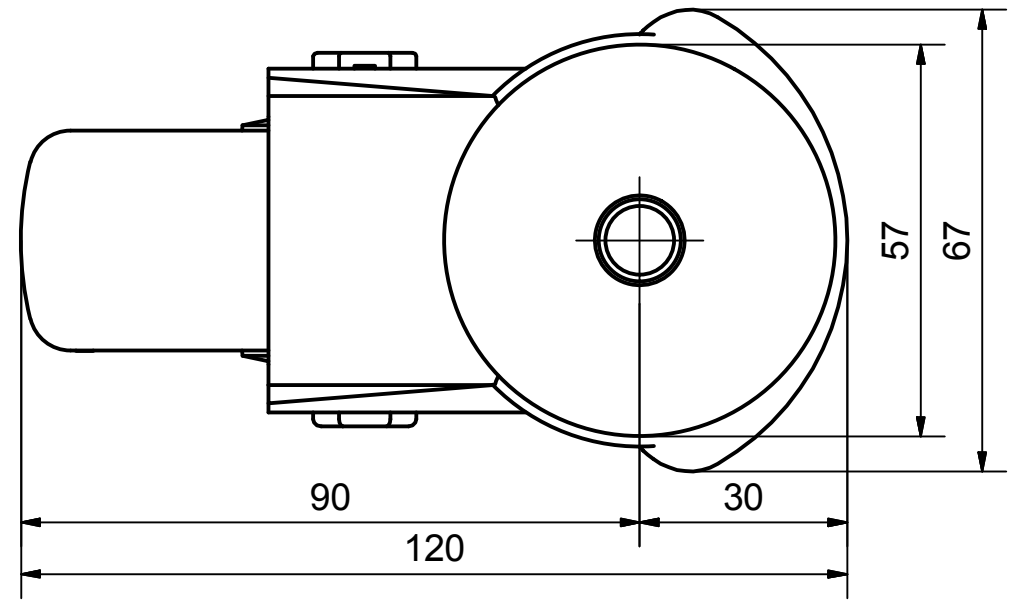
Load Capacity: 90kg, for speed up to 4km/h  
(According to EN 12530)

C

C

B


B



A

A

6 5 4 3 2 1

|   |                     |           |                     |
|---|---------------------|-----------|---------------------|
| <br>PRODUCTION OF INSTITUTIONAL CASTORS AND WHEELS<br>THESSALONIKI - GREECE            | PERMIS. VARIATIONS: |           | PART No:            |
|   | SURFACE FINISH :    |           | UNF . DIM.:         |
| This drawing is the property of RODA S.A. It must neither be reproduced in any manner nor shall it be submitted to third parties or competitors without our written consent | DESIGNED            | 24/7/2013 | E.POLIMEROPOULOU    |
|   | DRAWN               | 24/7/2013 | E.POLIMEROPOULOU    |
|   | CHECKED             | 24/7/2013 | H.SAATSOGLOU        |
| PART DESCRIPTION :  |                     |           | PART NAME :         |
| Swivel castor, steel support, bolt stem M12X25mm.Wheel 100x32mm,electric conductive non marking grey rubber (82shA) double ball   |                     |           | <b>S.100.CPC.BS</b> |
| DRAWING NUMBER :  |                     | QUANTITY  | SCALE               |
| SHEET No.   |                     | REPLACE : | GEN. DWG. NUM. :    |