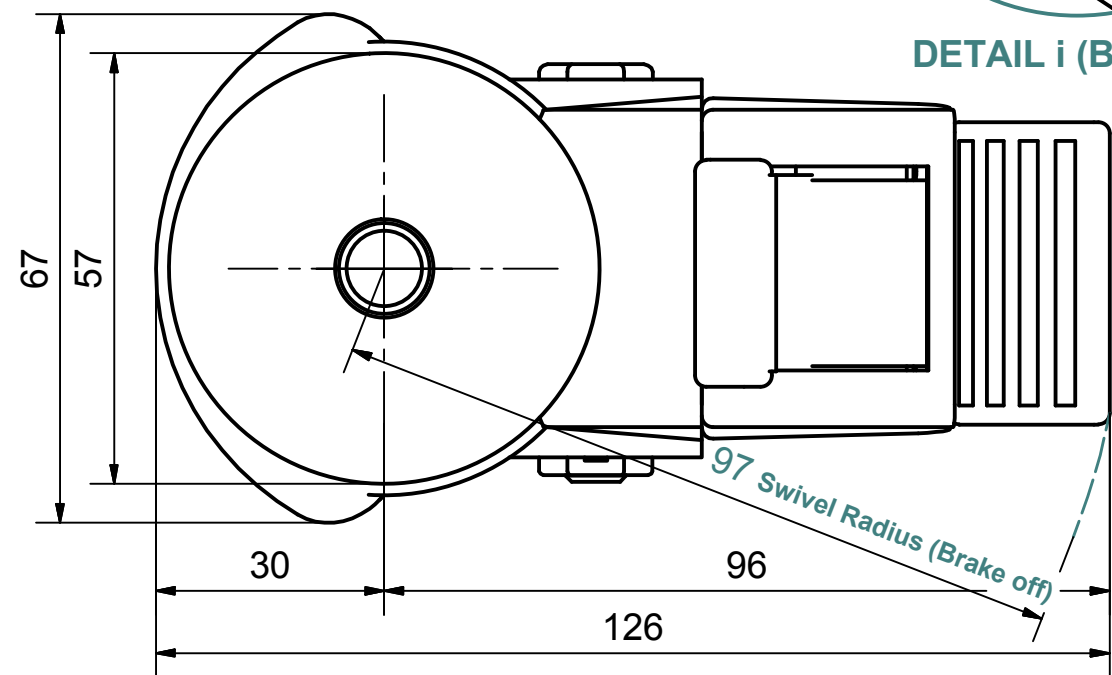
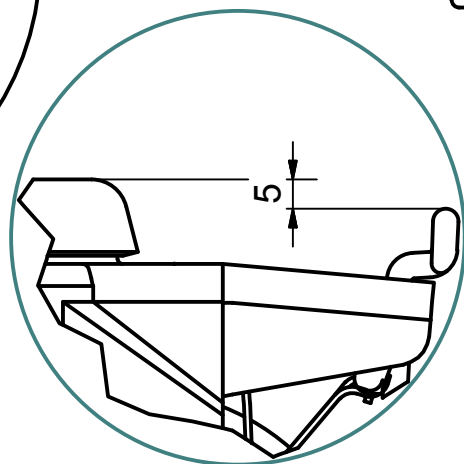



Load Capacity: 70kg, for speed up to 4km/h
(According to EN 12530)



 PRODUCTION OF INSTITUTIONAL CASTORS AND WHEELS THESSALONIKI - GREECE	PERMIS. VARIATIONS:		PART No:
	SURFACE FINISH:		UNF . DIM.:
This drawing is the property of RODA S.A. It must neither be reproduced in any manner nor shall it be submitted to third parties or competitors without our written consent	DESIGNED	19/7/2013	E.POLIMEROPOULOU
	DRAWN	19/7/2013	E.POLIMEROPOULOU
	CHECKED	19/7/2013	H.SAATSOGLOU
PART NAME : SX.075.TPC.BSBKGX			PART DESCRIPTION : Swivel+brake castor, stainless support, bolt stem M12X25mm.Wheel 75x32mm,non marking grey rubber (82shA) double ball bearings,s
DRAWING NUMBER :			SHEET No.
QUANTITY SCALE		GEN. DWG. NUM. :	
REPLACE :			