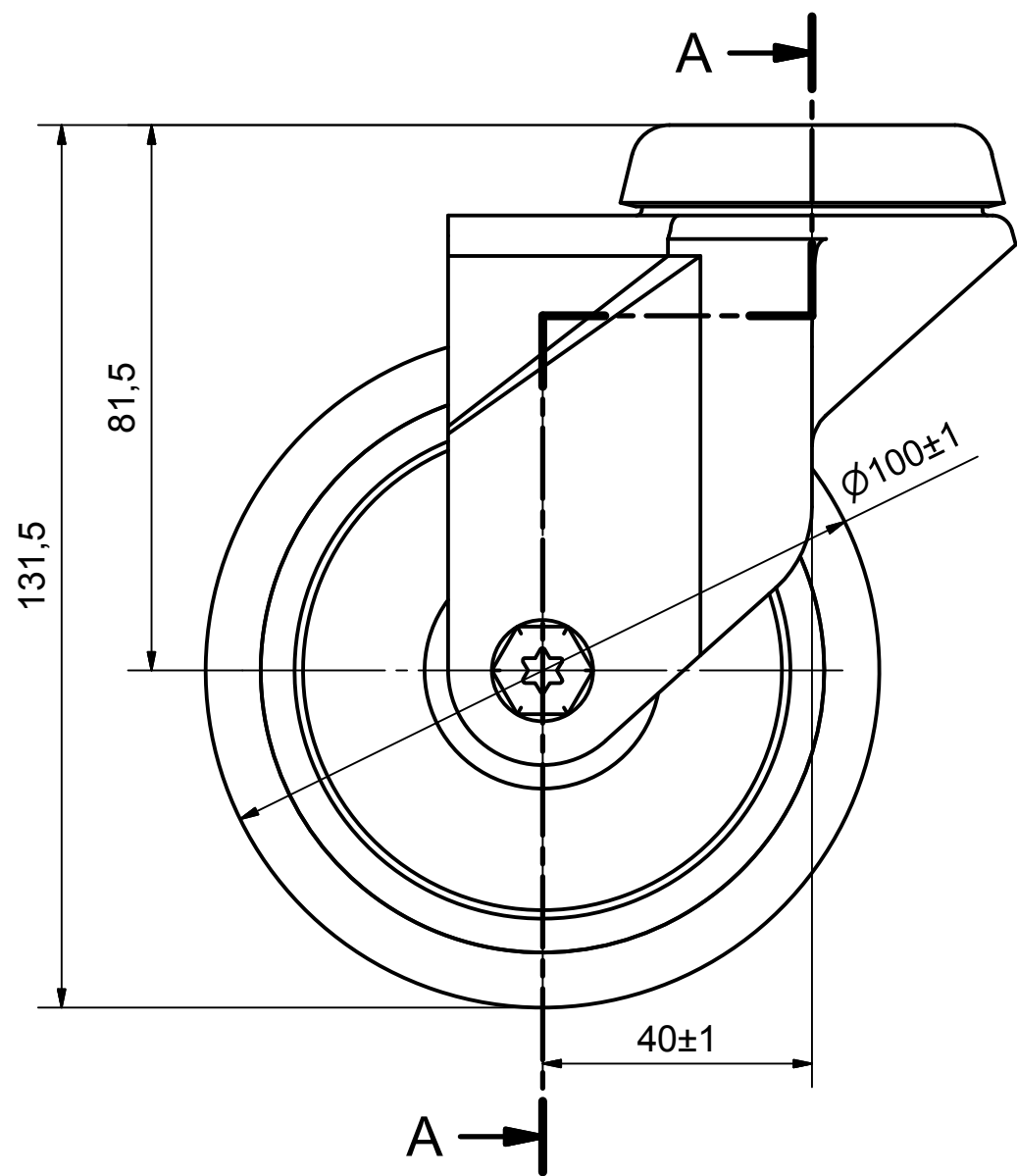
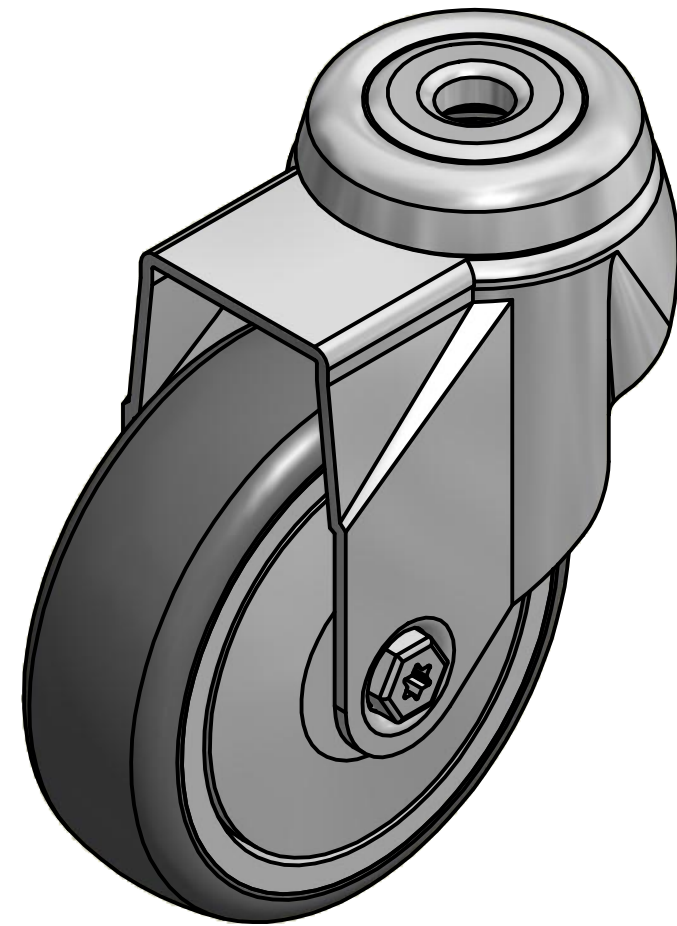
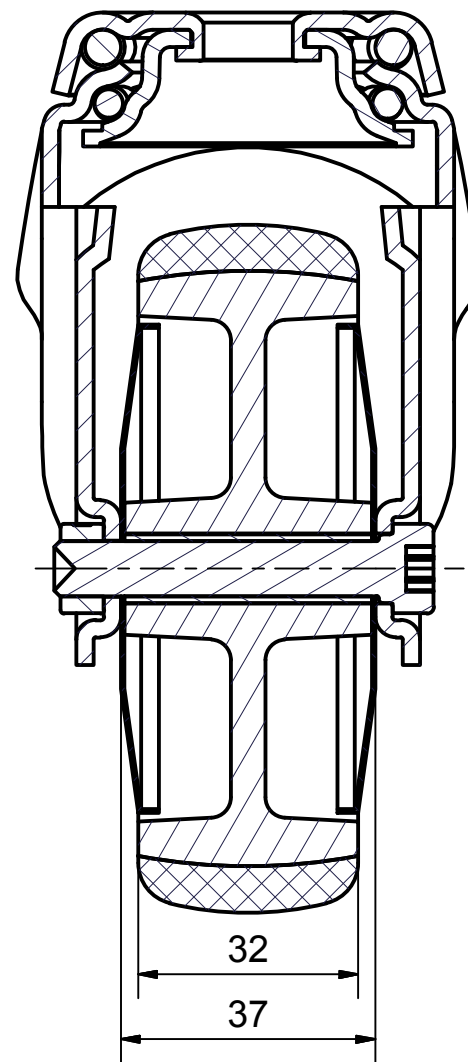


6 5 4 3 2 1

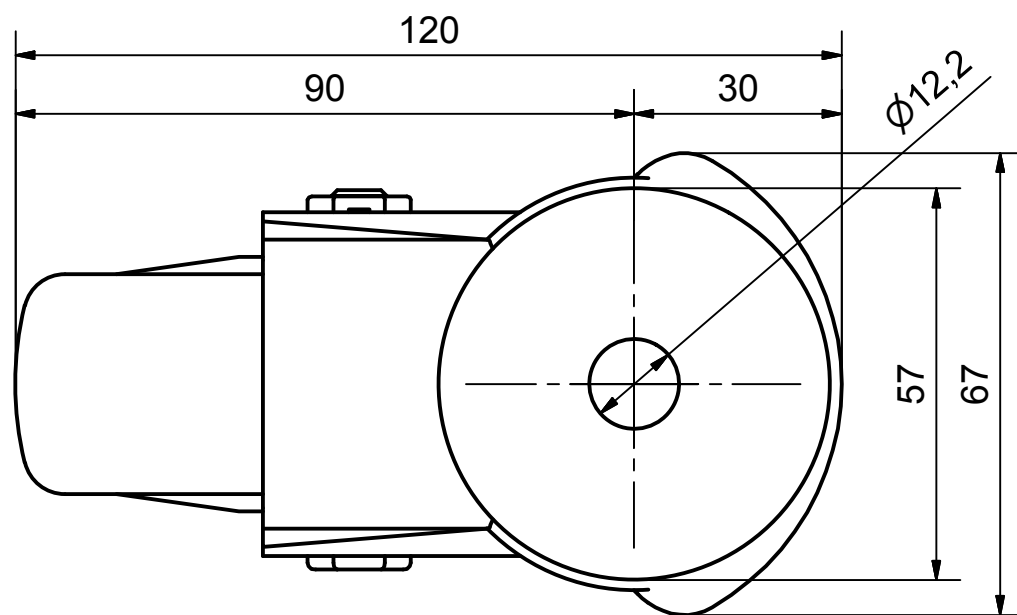
D
C
B
A




SECTION A-A'



Load Capacity: 90kg, for speed up to 4km/h
(According to EN 12530)



 PRODUCTION OF INSTITUTIONAL CASTORS AND WHEELS THESSALONIKI - GREECE	PERMIS. VARIATIONS:		PART No:	
	SURFACE FINISH:		UNF . DIM.:	
This drawing is the property of RODA S.A. It must neither be reproduced in any manner nor shall it be submitted to third parties or competitors without our written consent			PART NAME : SX.100.TPA.HSGX	
DESIGNED	24/7/2013	E.POLIMEROPOULOU	PART DESCRIPTION : Swivel castor, stainless support, bolt hole fitting (12,2mm).Wheel 100x32mm,non marking grey rubber (82shA) plain bearing,stain	
DRAWN	24/7/2013	E.POLIMEROPOULOU	DRAWING NUMBER :	
CHECKED	24/7/2013	H.SAATSOGLOU	SHEET No.	
C3			QUANTITY	SCALE
B2			REPLACE :	GEN. DWG. NUM. :
A1				
A/A				

6 5 4 3 2 1