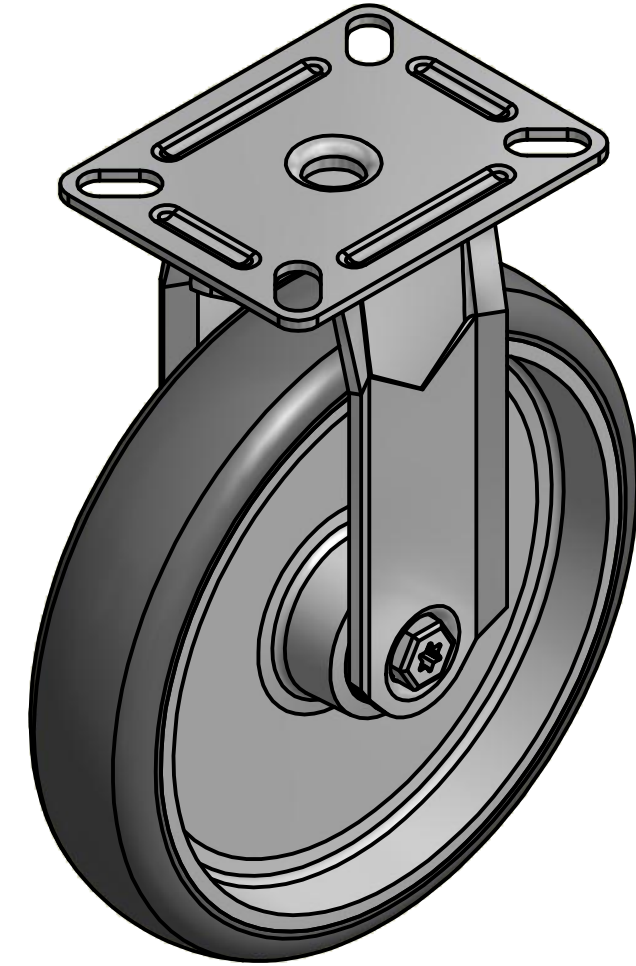
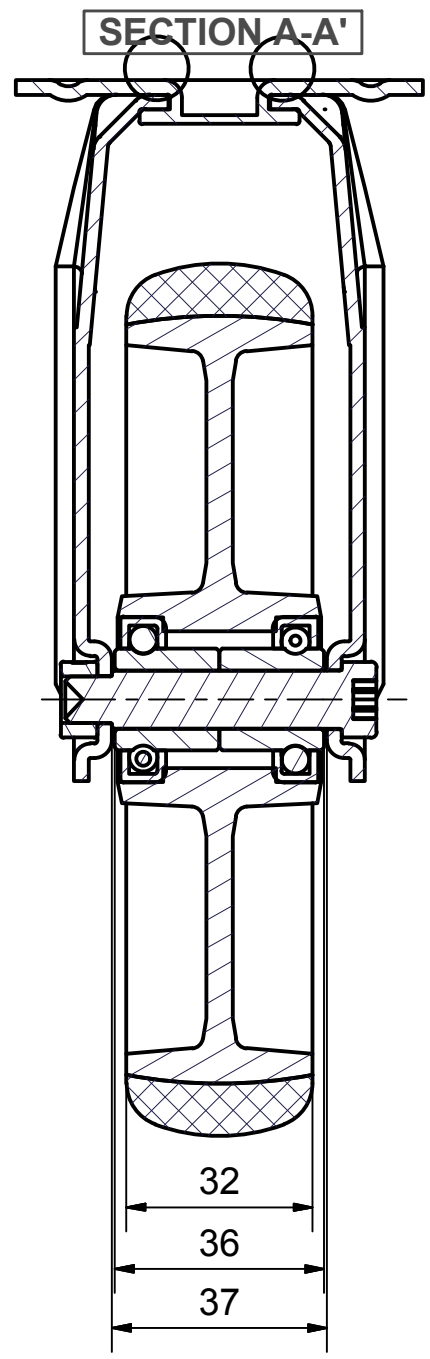
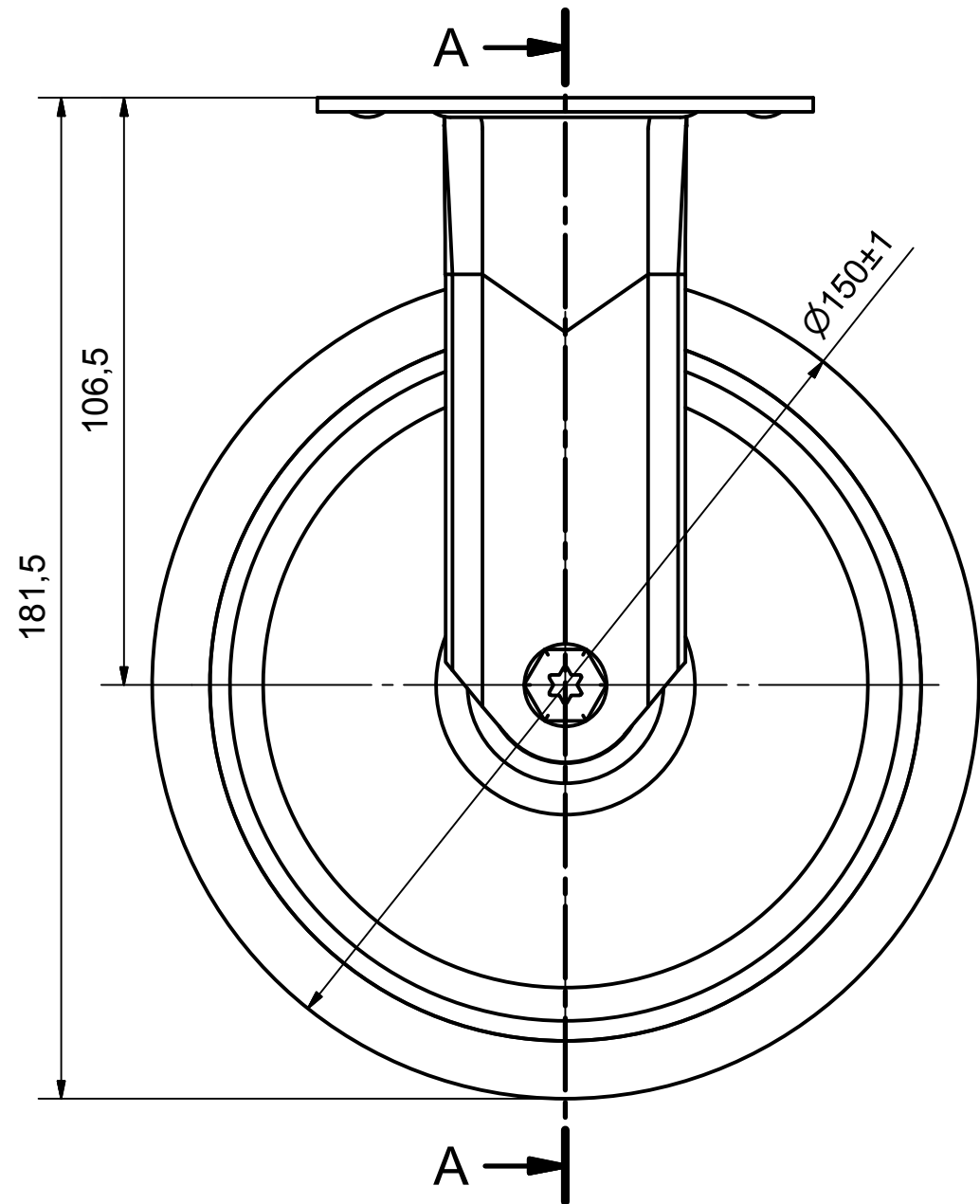
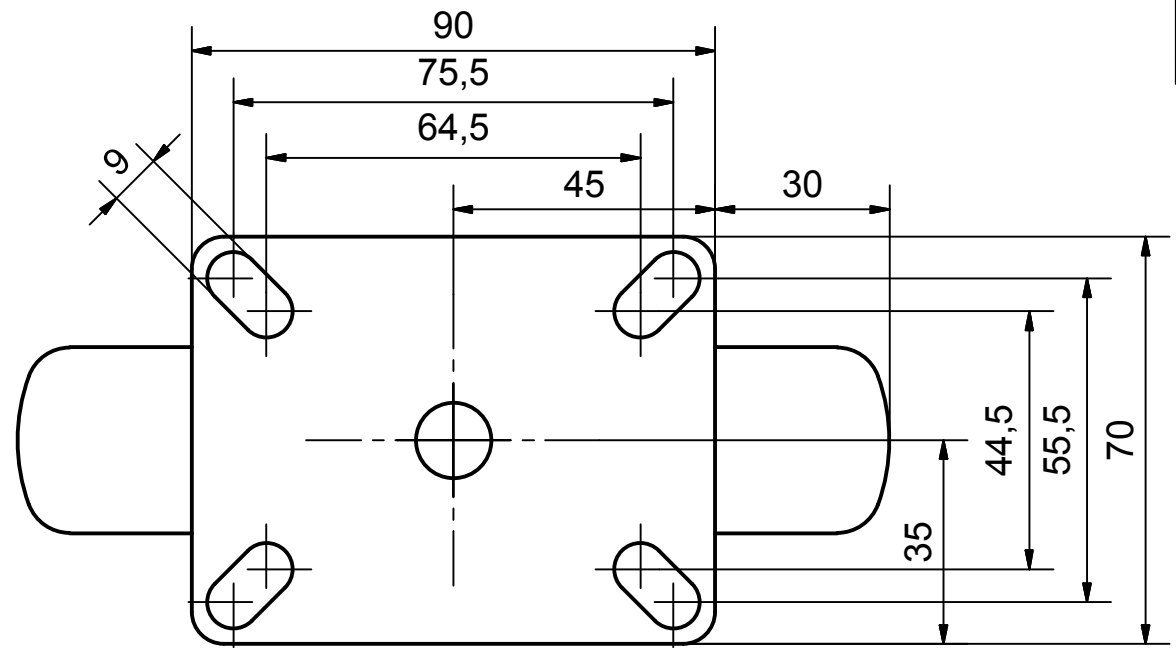



6 5 4 3 2 1

D
C
B
A



**Load Capacity: 100kg, for speed up to 4km/h
(According to EN 12530)**



 PRODUCTION OF INSTITUTIONAL CASTORS AND WHEELS THESSALONIKI - GREECE	PERMIS. VARIATIONS:		PART No:
	SURFACE FINISH :		UNF . DIM.:
This drawing is the property of RODA S.A. It must neither be reproduced in any manner nor shall it be submitted to third parties or competitors without our written consent	DESIGNED	31/7/2013	E.POLIMEROPOULOU
	DRAWN	31/7/2013	E.POLIMEROPOULOU
	CHECKED	31/7/2013	H.SAATSOGLOU
PART DESCRIPTION : Fixed castor, stainless support, top plate fitting.Wheel 150x32mm,non marking grey rubber (82shA) double ball bearings			PART NAME : SX.150.TPC.TF
QUANTITY SCALE			DRAWING NUMBER :
REPLACE :			SHEET No.
GEN. DWG. NUM. :			SHEET No.

6 5 4 3 2 1