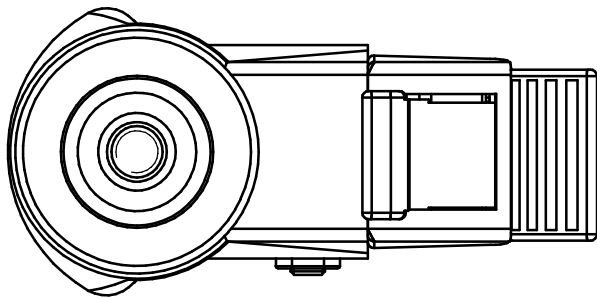
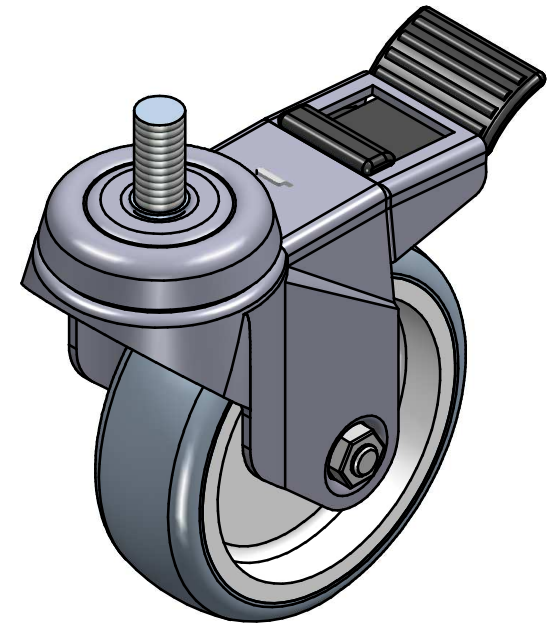
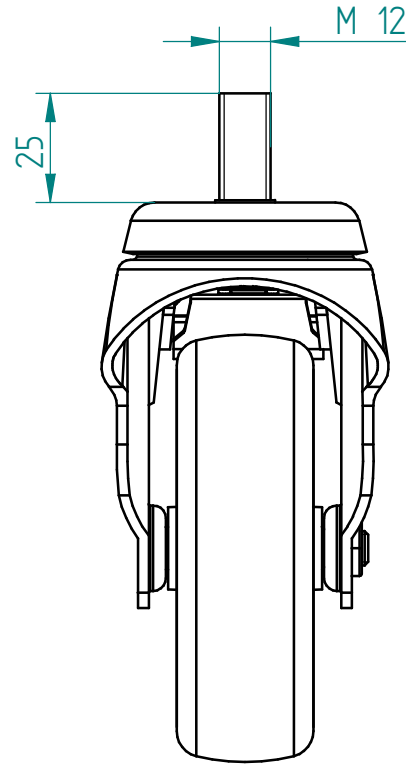
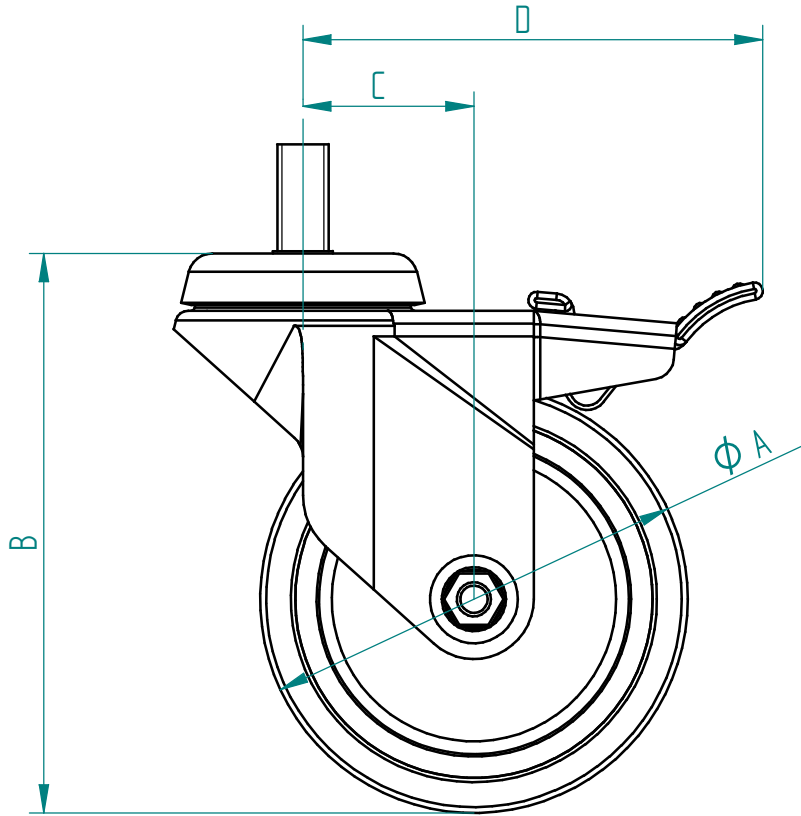



M Series			
A (mm)	B (mm)	C (mm)	D (mm)
75	109	28	95
100	131,5	40	107
125	156,5	40	107
150	181,5	45	112



	PRODUCTION OF INSTITUTIONAL CATRORS AND WHEELS	PERMIS. VARIATIONS:	PART No.:
		SURFACE FINISH:	UNF. DIM.:
THESSALONIKI - GREECE		MATERIAL:	
This drawing is the property of RODA S.A. It must neither be reproduced in any manner nor shall it be submitted to third parties or competitors without our written consent		DESIGNED 18/2/2011 ALISANDRATOS S. DRAWN 18/2/2011 ALISANDRATOS S. CHECKED 18/2/2011	PART DESCRIPTION : S Series BSBK:Bolt Stem Brake
C3		QUANTITY	DRAWING
B2			
A1		REPLACE	SCALE
A/A			
		GEN. DWG. NUM.:	SHEET No.