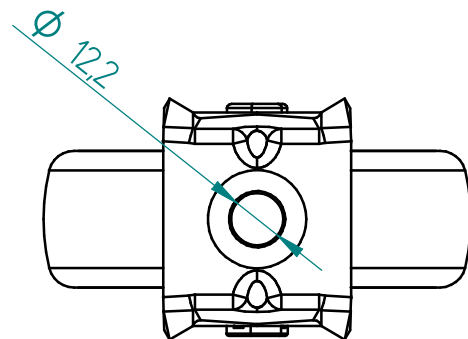
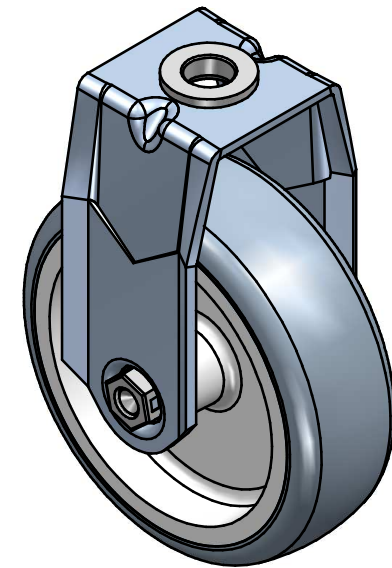
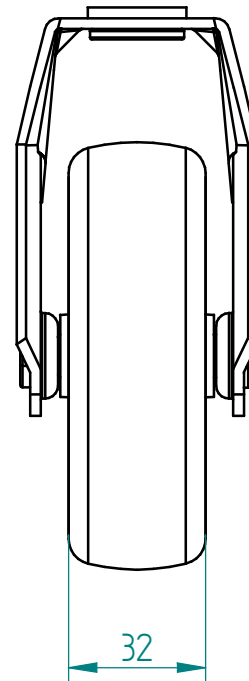
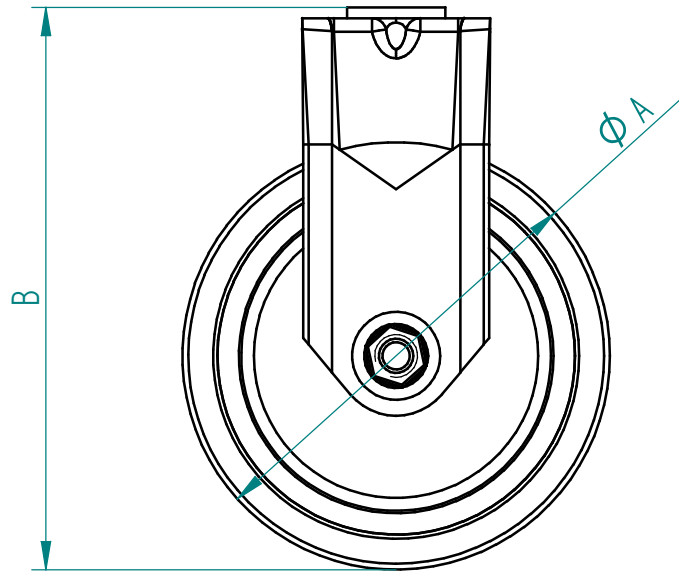



S Series	
A (mm)	B (mm)
75	109
10	131,5
125	156,5
150	181,5



	PRODUCTION OF INSTITUTIONAL CATRORS AND WHEELS THESSALONIKI - GREECE	PERMIS. VARIATIONS:	PART No:
		SURFACE FINISH:	UNF. DIM.:
This drawing is the property of RODA S.A. It must neither be reproduced in any manner nor shall it be submitted to third parties or competitors without our written consent		DESIGNED 18/2/2011 ALISANDRATOS S. DRAWN 18/2/2011 ALISANDRATOS S. CHECKED 18/2/2011	MATERIAL:
C3 B2 A1 A/A		QUANTITY REPLACE	PART DESCRIPTION : S Series HF: Bolt Hole
		SCALE	DRAWING SHEET No.
		GEN. DWG. NUM. :	