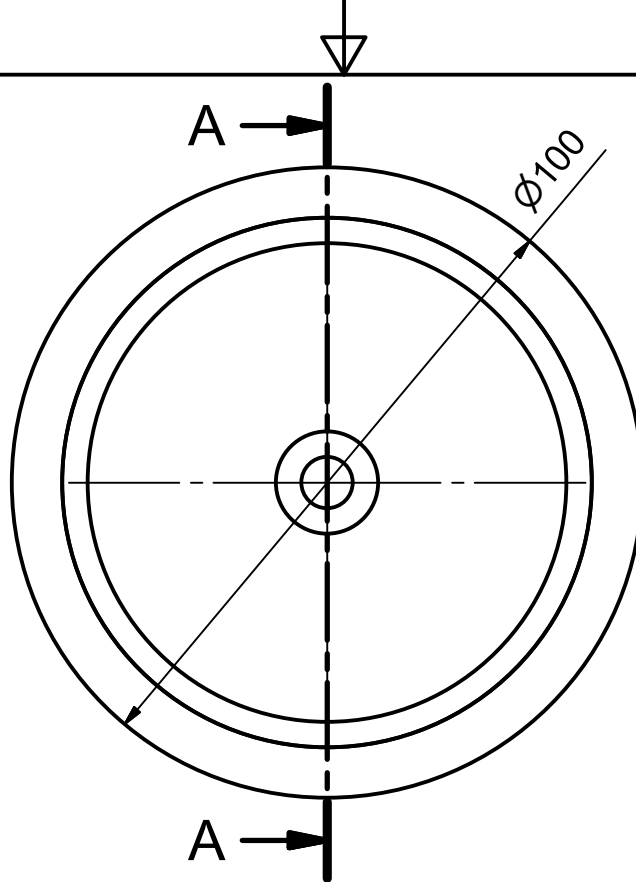
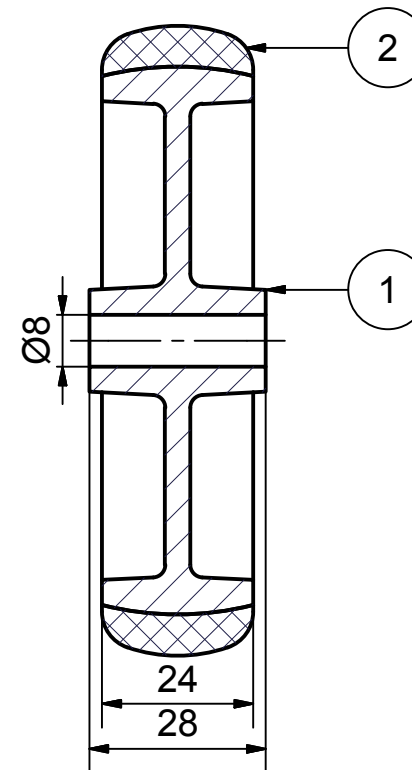





**Load Capacity: 70kg  
for speed up to 4km/h  
(According to EN 12530)**



**SECTION A-A'**



Parts List				
ITEM	DESCRIPTION	MATERIAL	QTY	MASS
1	Wheel Rim 100M.EC	PP Electroconductive	1	0,053 kg
2	Wheel Tread 100M.EC	TPA+Steel Fibers	1	0,038 kg
 PRODUCTION OF INSTITUTIONAL CASTORS AND WHEELS THESSALONIKI - GREECE		PERMIS. VARIATIONS:		PART No:
		SURFACE FINISH :		UNF . DIM.:
		PART NAME : <b>WL-TPA100M.EC</b>		
This drawing is the property of RODA S.A. It must neither be reproduced in any manner nor shall it be submitted to third parties or competitors without our written consent		DESIGNED	12/6/2013	E.POLIMEROPOULOU
		DRAWN	12/6/2013	E.POLIMEROPOULOU
		CHECKED	8/11/2013	H.SAATSOGLOU
		PART DESCRIPTION : <b>Wheel 100x24mm,electric conductive non marking grey rubber (82shA),bore diameter 8mm , plain bearing</b>		
C3				DRAWING NUMBER :
B2				
A1				SHEET No.
A/A				
		QUANTITY	SCALE	
		REPLACE :	GEN. DWG. NUM. :	