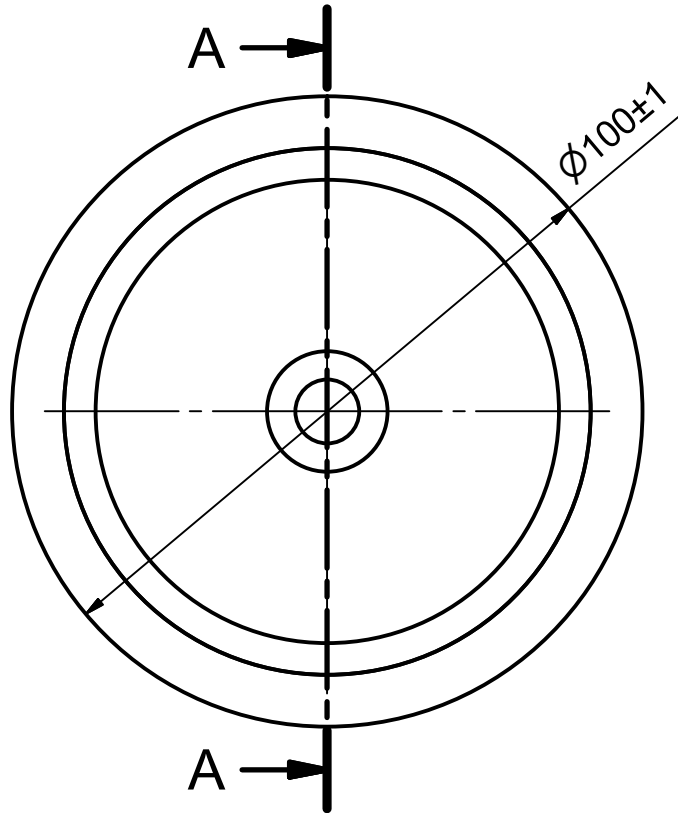
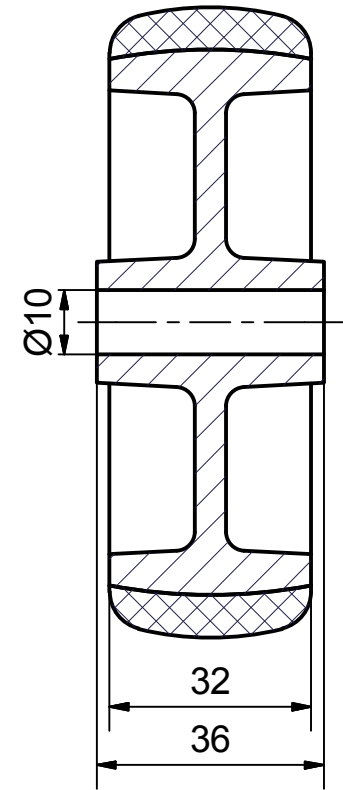





Load Capacity: 90kg
for speed up to 4km/h
(According to EN 12530)



SECTION A-A'



	PRODUCTION OF INSTITUTIONAL CASTORS AND WHEELS THESSALONIKI - GREECE			PERMIS. VARIATIONS:	PART No:		
	This drawing is the property of RODA S.A. It must neither be reproduced in any manner nor shall it be submitted to third parties or competitors without our written consent			SURFACE FINISH :	UNF . DIM.:		
DESIGNED 8/11/2013 E.POLIMEROPOULOU DRAWN 8/11/2013 E.POLIMEROPOULOU CHECKED 8/11/2013 H.SAATSOGLOU			PART NAME : WL-TPA100S.EC		PART DESCRIPTION : Wheel 100x32mm,electric conductive non marking grey rubber (82shA),bore diameter 10mm , plain bearing		
C3				QUANTITY	SCALE	DRAWING NUMBER :	SHEET No.
B2				REPLACE :		GEN. DWG. NUM. :	
A1							
A/A							